

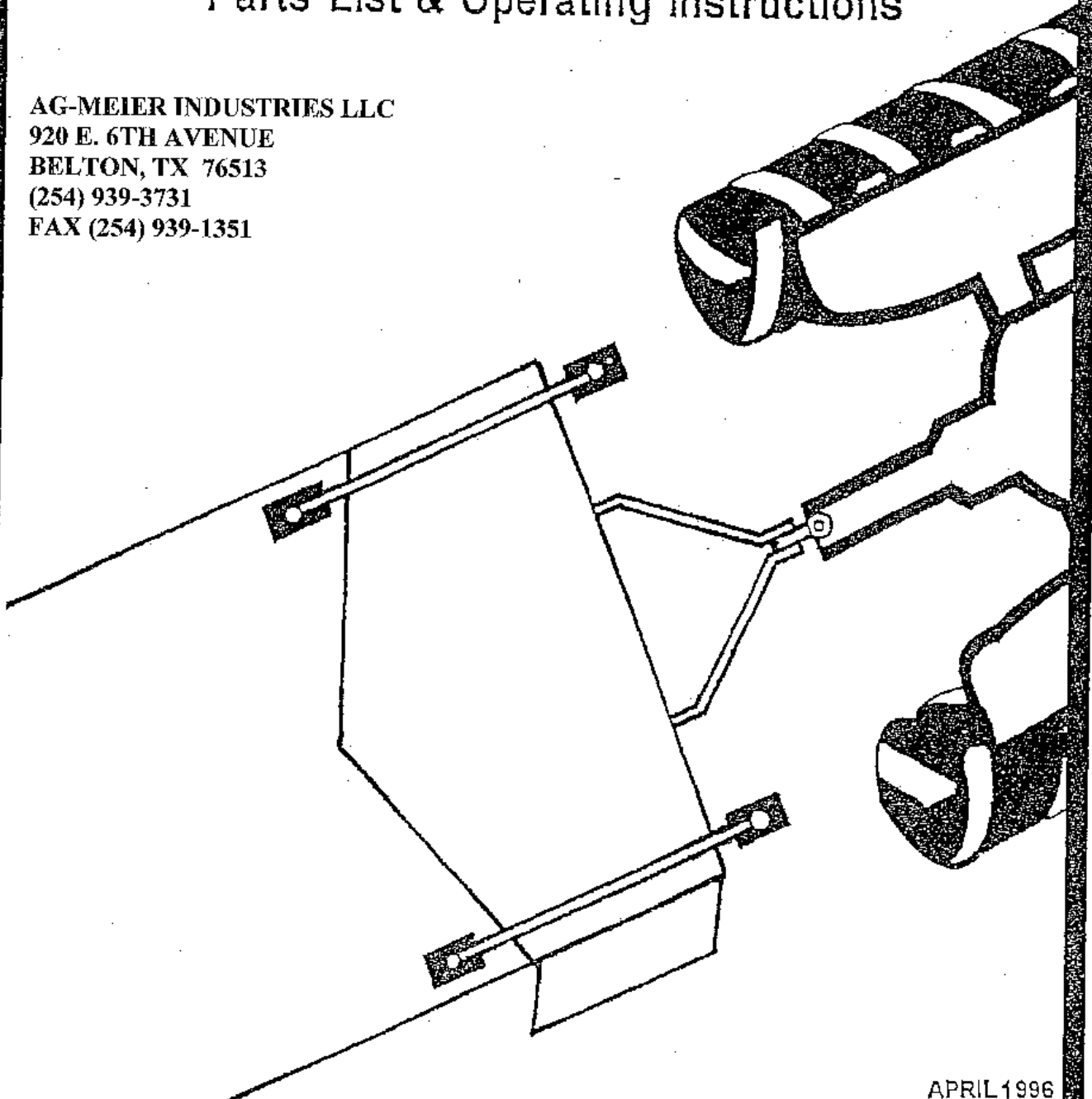
AG-MEIER, IND.

MANUFACTURERS OF QUALITY FARM EQUIPMENT

COLT 60 MOWER

Parts List & Operating Instructions

AG-MEIER INDUSTRIES LLC
920 E. 6TH AVENUE
BELTON, TX 76513
(254) 939-3731
FAX (254) 939-1351



APRIL 1996

TABLE OF CONTENTS

	PAGE
INTRODUCTION	3
PARTS ORDERING GUIDE	4
SAFETY INFORMATION	5
COLT 60 DECALS	6 - 7
INTRODUCTION TO THE COLT 60	8
OPERATION	9 - 11
COLT 60 MOWER	12
COLT 60	13
ROTOR ASSEMBLY	14
MAINTENANCE	15 - 16
TROUBLE SHOOTING GUIDE	17
WARRANTY	18

INTRODUCTION

This Mower is designed with care and built with quality materials by skilled workers. Proper assembly, maintenance, and operating practices, as described in this manual, will help the owner/operator get years of satisfactory service from the machine.

The purpose of this manual is to familiarize, instruct, and train. The Assembly Section instructs the owner/operator in the correct assembly of the mower using standard and optional equipment. The Parts List Section is designed to familiarize the owner/operator with replaceable parts on the mower. This section provides enlarged assembly drawings of each mower component illustrating each piece and the corresponding part number.

Careful use and timely service saves extensive repairs and costly downtime losses. The Operation and Maintenance Sections of the manual instruct the owner/operator how to operate the mower correctly and attend to appropriate maintenance. The Trouble Shooting Guide helps diagnose difficulties with the mower and offers possible solutions to the problem.

Safety is of primary importance to the owner/operator and to the manufacturer. The first section of this manual includes a list of Safety Messages that, if followed, will help protect the operator and bystanders from injury or death. Many of the safety messages will be repeated throughout the manual. The owner/operator should know these Safety Messages before assembly and be aware of the hazards of operating this mower during assembly, use, and maintenance. The Safety Alert Symbol combined with a Signal Word, as seen below, is intended to warn the owner/operator of impending hazards and the degree of possible injury faced when operating this machine.

WARNING



Serious injury or possible death!
Decals are Red and White

DANGER



Imminent death/critical injury.
Decals are Red and White.

ATTENTION OWNER/OPERATOR, BEFORE OPERATING THIS MACHINE

1. Carefully read the Operator's Manual, completely understand the Safety Messages and instructions, and know how to operate correctly both the tractor and mower.
2. Record the Mower Model and Serial Numbers on the Warranty page at the end of the Operator's Manual. Keep this as part of the permanent maintenance file for the mower.

PARTS ORDERING GUIDE

The following instructions are offered to help eliminate needless delays and errors in purchasing parts.

1. The parts list is prepared in a logical sequence according to the basic machine drawings in the parts listing section of this manual. Part numbers and descriptions are given to help locate the parts and quantities required.
2. When ordering parts contact the AG. - MEIER, INC. AMI PRODUCTS dealer nearest you, or the dealer from whom you purchased your equipment.
3. When ordering parts have the model and serial number of the equipment, part number, quantity and description of the machine for which parts are being ordered.

For maximum safety and to guarantee optimum product reliability, always use genuine AG. - MEIER, INC. parts. The use of replacement parts manufactured by companies other than AG. - MEIER, INC. invalidates the warranty and may cause premature or catastrophic failure which could result in serious injury or death. Direct any questions concerning repair parts to the dealer from whom the machine was purchased, the nearest AG.-MEIER, INC. Dealer or:

AG-MEIER INDUSTRIES L L C

(BELTON DIVISION)

AG-MEIER INDUSTRIES LLC
920 E. 6TH AVENUE
BELTON, TX 76513

SAFETY RULES

The safe operation of any machinery is a major concern to consumers and manufacturers. Your mower has been designed with many built-in safety features. However, no one should operate this machine before carefully reading this Owner's Manual.

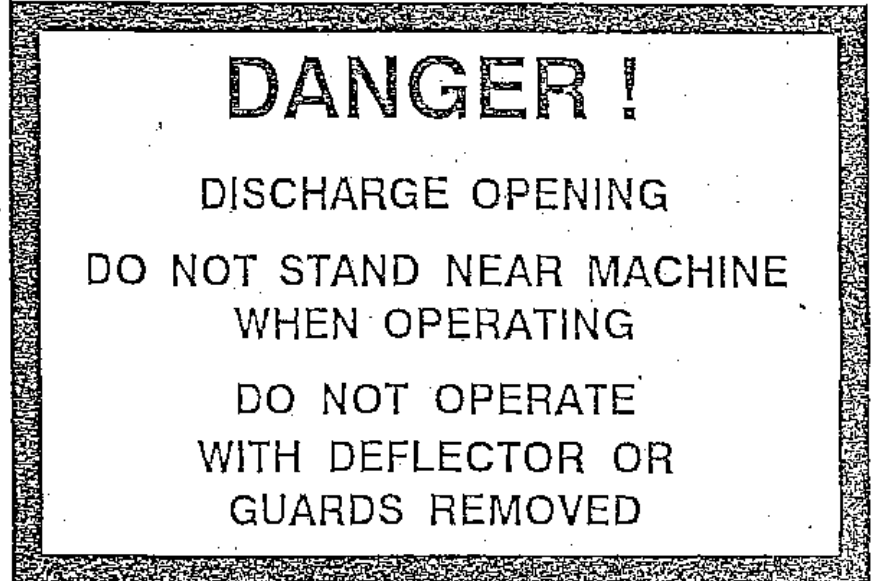
1. DO NOT operate the mower with any safety shields missing.
2. DO NOT allow anyone to operate this machine who has not read and understood this manual or has not been properly trained in its safe operation by you, the owner.
3. DO NOT let children operate the mower.
4. NEVER allow passengers.
5. NEVER operate the mower near people and DO NOT stand closer than 10 feet to the mower while the blades are in motion.
6. Before mowing, clear the area of objects and debris that could become entangled in the blades or thrown from the mower.
7. If you strike an object, turn off the mower and inspect for damages before continuing.
8. DO NOT operate the mower in reverse. Debris may be thrown from the front of the mower, thereby increasing the risk of injury to the operator.
9. Perform recommended maintenance and lubrication before each operation. Check the mower before and after each use for loose hardware and tighten if necessary.
10. Travel slowly over rough terrain and be alert to holes and ditches.
11. When traveling on public roads, use necessary lights and safety devices for adequate warning to the operators of other vehicles. Comply with all Federal, State and Local laws.
12. Never operate the mower while in the raised transport position.
13. Be alert to traffic when crossing or mowing near roadways.
14. Disengage the PTO when raised for transport or backing up.
15. Wear proper eye protection to prevent injury from flying objects.
16. In order to maintain steering control, add ballast to the tractor. To determine the amount of ballast required, refer to the tractor operator's manual.
17. Before performing maintenance, be sure that the mower is securely blocked on safe supporting stands.

COLT 60 DECALS



#85003

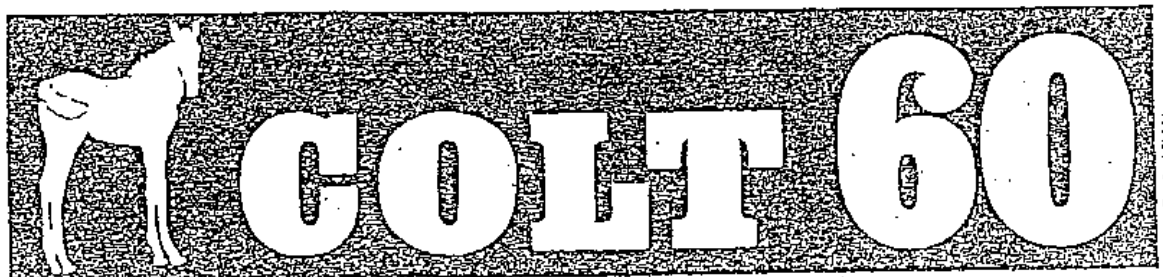
AG-MEIER INDUSTRIES LLC
920 E. 6TH AVENUE
BELTON, TX 76513



#85029



#85019



#85108

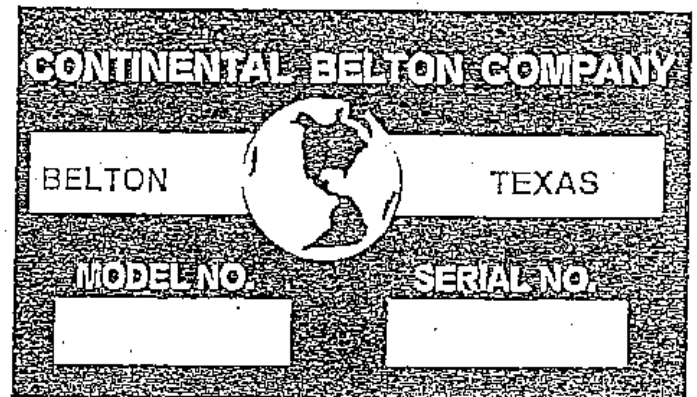
COLT 60 DECALS



BE CAREFUL

1. KEEP ALL SHIELDS IN PLACE.
2. STOP ENGINE BEFORE LEAVING OPERATOR'S POSITION TO ADJUST, LUBRICATE, CLEAN OR UNCLOG MACHINES, UNLESS OTHERWISE SPECIFICALLY RECOMMENDED IN THE "OPERATOR'S MANUAL".
3. WAIT FOR ALL MOVEMENT TO STOP BEFORE SERVICING MACHINE.
4. KEEP HANDS, FEET AND CLOTHING AWAY FROM POWER DRIVEN PARTS.
5. KEEP OFF EQUIPMENT UNLESS SEAT OR PLATFORM FOR OPERATION AND OBSERVATION IS PROVIDED.
6. KEEP ALL OTHERS OFF.
7. USE FLASHING, WARNING LIGHTS WHEN OPERATING ON HIGHWAYS EXCEPT WHEN PROHIBITED BY LAW.
8. MAKE CERTAIN EVERYONE IS CLEAR OF MACHINE BEFORE STARTING ENGINE OR OPERATION.

#85021



#85018

ATTENTION !

DO NOT MOUNT OR OPERATE
THIS MOWER WITHOUT READING
PROVIDED INSTRUCTIONS

#85071

GREASE GENEROUSLY
EVERY (8) HOURS

#85024

INTRODUCTION TO THE COLT 60

IMPORTANT

- Your mower comes equipped with all safety decals in place. Always keep safety decals clean & legible.
- Replace all damaged or missing safety decals. To order new safety decals contact your Continental Belton Company dealer and reference part numbers as shown on pages 6 & 7.
- To install new safety decals:
 1. Clean the area where the decal is to be placed.
 2. Peel the backing from the decal and press firmly onto the surface.

COLT 60 DECALS

Part #	Description	No. Req'd.
85003	Continental Belton Company	1
85018	Serial No. Plate	1
85019	Do Not Remove Safety Shield	3
85021	Be Careful	1
85024	Grease Generously Every 8 Hours	3
85029	Danger, Discharge Opening	1
85108	Colt 60	1
85071	Attention	1

The Colt 60 is a finishing mower recommended for use in medium mowing, such as pasture maintenance, parks, vineyards, and orchards where medium grasses and weeds are to be mowed.

The Colt 60 is shipped in two basic bundles:

1. Hood Assembly with Gauge Wheel Assembly
2. Throttle Controls

OPERATION

TRACTOR PREPARATION

- **BALLAST (FRONT END WEIGHT)**

Add enough weight to assure that at least 20% of the tractor's original weight is on the front wheels for safe transport.

- **WHEEL TREAD**

Tractor wheel tread spacing should be increased when working on inclines or rough ground to reduce the possibility of tipping.

- **STABILIZER BARS OR SWAY BLOCKS**

Use stabilizer bars or sway blocks to prevent side sway of the mower.

- **DRAFT LINKS**

The linkage to the lower draft links should be set in the "Float Position", allowing the unit to follow the contour of the terrain.

DRAWBAR

Shorten or remove the tractor drawbar so it will not interfere with the up and down movement of the mower.

MOUNTING THE MOWER TO THE TRACTOR

1. Place safety blocks under the mower deck. Attach the gauge wheels using the 1/2"-13 x 3" Gr.2 cap screws with the lock washers and hex nuts provided.
2. Attach the hitch assembly to the drawbar of the tractor.

TRANSPORTING

Pay particularly close attention to the SAFETY MESSAGES regarding mower transport. Avoid unnecessary injuries and equipment damage by exercising cautious and conscientious travel procedures.

Attaching the mower to the tractor increases the overall length of the working unit. Allow additional clearance for the mower to swing when turning.

Raise the mower as high as possible for transporting while maintaining clearance between the driveline and deck of the mower.

WARNING



When transporting the mower on a road or highway, use tractor warning lights, SMV sign, reflectors, and other safety devices for adequate warning to the operators of other vehicles. Check the traffic regulations governing the locale where mowing is to be done, and work safely within those guidelines.

OPERATION

WARNING



Be sure that the tractor lift lever is locked into the "transport" detent before attempting to transport the mower. Make certain that at least 20% of the tractor weight is on the front tires.

WARNING



Hold transport speed to 15 m.p.h. especially when using puncture-proof, laminated tires. These tires are designed for off road use only. They can be used on road surfaces at very low speeds and then only for a short distance. Heat from pavement friction can build up causing the tire to ignite. When transporting up slopes with reduced front end weight, the tailwheel should be lowered as far as possible to provide a stop if the tractor rears up.

MOWER ADJUSTMENT

WARNING



Avoid personal injury. Be sure the tractor engine is off and the key is removed before making any adjustments

IMPORTANT: Avoid very low mowing heights. Striking the ground with the blades gives the most damaging shock loads a mower can encounter and will cause damage to the mower and driveline.

1. Remove the hood safety shield.
2. Adjust belts for proper tension. A properly tensioned belt should deflect 3/4" when a 15 lb. force is applied at the point shown in illustration "A" on page 14. Check belt tension after the first hour of use on a new belt. Adjust the drive belt (shaded) by loosening the 5/8"-11 lock nut (Ref. #41, page 12) on the idler pulley (Ref. #40, page 12). Tighten the 3/8" hex nut on the idler tightener (Ref. #39, page 12) until the proper belt tension is achieved. Tighten the other 3/8" hex nut against the bracket to lock the idler in place. Tighten the 5/8"-11 lock nut to lock the idler pulley in place. Adjust the drive belt (unshaded) by loosening the four 3/8"-16 hex nuts on the engine mount (Ref. #21, page 12). Adjust the tension by tightening the 3/8"-16 hex nut on the adjustment angles that are attached to the hood. When the proper tension is achieved, retighten all bolts.
3. Replace the hood safety shield at this time using the four 3/8"-16 wing nuts provided.
4. Adjust the gauge wheels to achieve the desired mowing height. Lower the mower so that the weight of the mower rests on the gauge wheels.
5. Ground speed of the tractor is determined by the height and density of the grass to be mowed. Slower speeds may be needed for tall or dense grass.

OPERATION

WARNING



Be sure that the tractor lift lever is locked into the "transport" detent before attempting to transport the mower. Make certain that at least 20% of the tractor weight is on the front tires.

WARNING



Hold transport speed to 15 m.p.h. especially when using puncture-proof, laminated tires. These tires are designed for off road use only. They can be used on road surfaces at very low speeds and then only for a short distance. Heat from pavement friction can build up causing the tire to ignite. When transporting up slopes with reduced front end weight, the tailwheel should be lowered as far as possible to provide a stop if the tractor rears up.

MOWER ADJUSTMENT

WARNING



Avoid personal injury. Be sure the tractor engine is off and the key is removed before making any adjustments

IMPORTANT: Avoid very low mowing heights. Striking the ground with the blades gives the most damaging shock loads a mower can encounter and will cause damage to the mower and driveline.

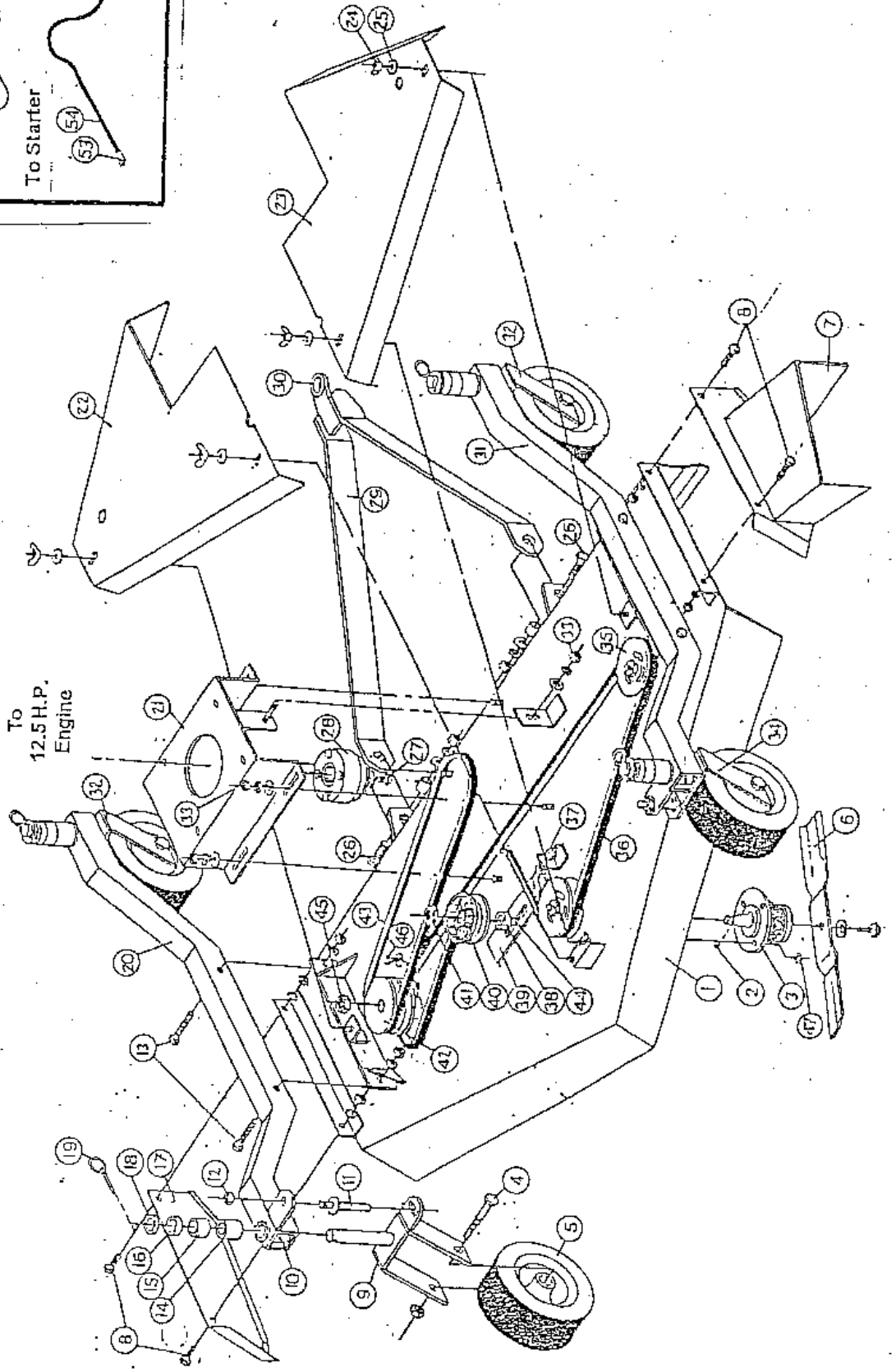
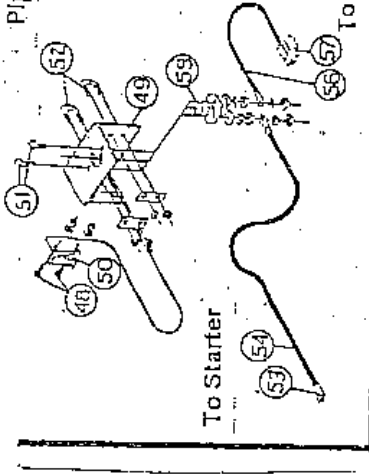
1. Remove the hood safety shield.
2. Adjust belts for proper tension. A properly tensioned belt should deflect 3/4" when a 15 lb. force is applied at the point shown in Illustration "A" on page 14. Check belt tension after the first hour of use on a new belt. Adjust the drive belt (shaded) by loosening the 5/8"-11 lock nut (Ref. #41, page 12) on the idler pulley (Ref. #40, page 12). Tighten the 3/8" hex nut on the idler tightener (Ref. #39, page 12) until the proper belt tension is achieved. Tighten the other 3/8" hex nut against the bracket to lock the idler in place. Tighten the 5/8"-11 lock nut to lock the idler pulley in place. Adjust the drive belt (unshaded) by loosening the four 3/8"-16 hex nuts on the engine mount (Ref. #21, page 12). Adjust the tension by tightening the 3/8"-16 hex nut on the adjustment angles that are attached to the hood. When the proper tension is achieved, retighten all bolts.
3. Replace the hood safety shield at this time using the four 3/8"-16 wing nuts provided.
4. Adjust the gauge wheels to achieve the desired mowing height. Lower the mower so that the weight of the mower rests on the gauge wheels.
5. Ground speed of the tractor is determined by the height and density of the grass to be mowed. Slower speeds may be needed for tall or dense grass.



COLT 60 MOWER

Throttle & Starter Controls

1 Bolt to 3/4" Pipe O.D.

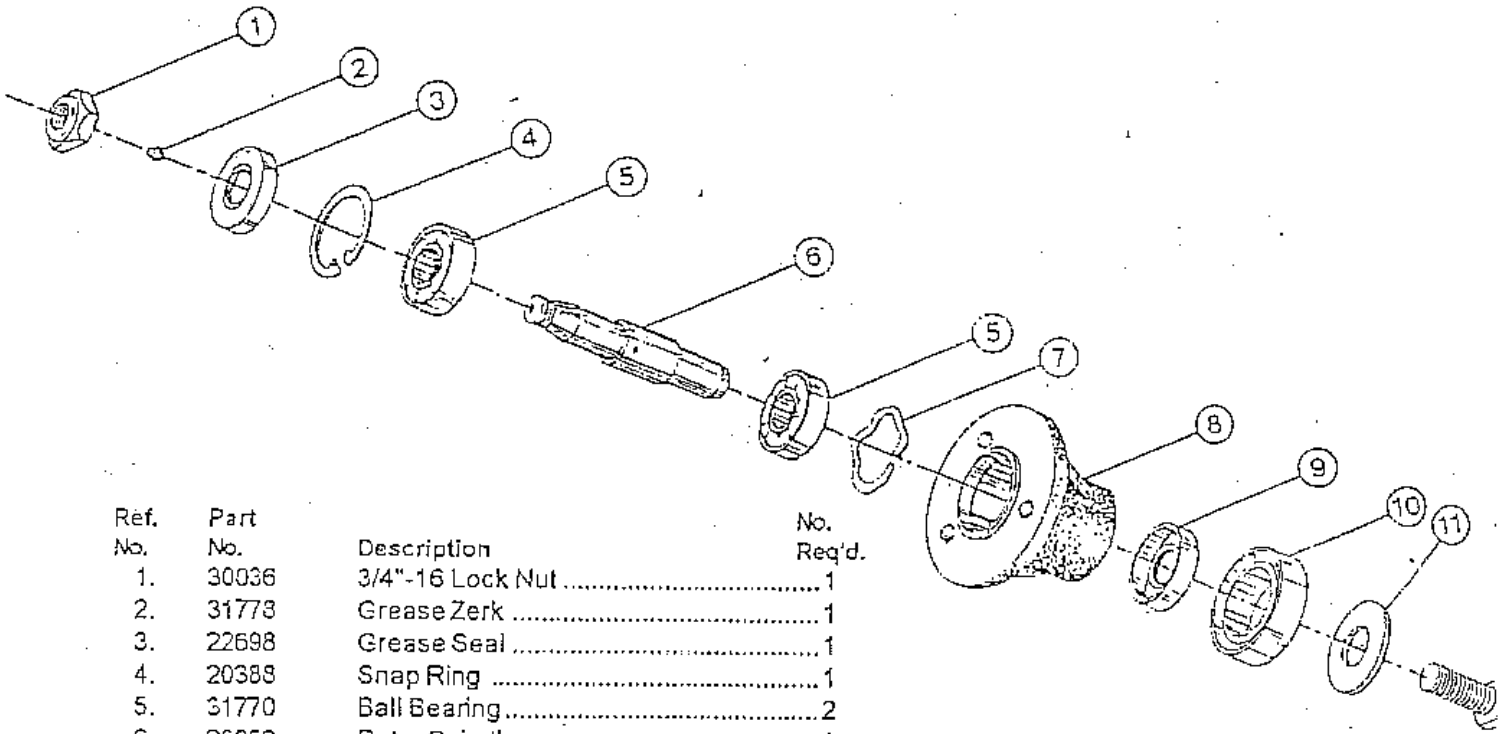


Ref. #	Part #	Description	No. Req'd.
1.	26060	Coil 60 Hood Weld Assembly	1
2.	PT230	No.9 Woodruff Key	3
3.	26070	Rotor Assembly with	3
	22687	Blade Hub	3
	33411	7/16" Belleville Washer	3
	31875	7/16"-20 x 1-1/4" Gr.8 Cap Screw	3
4.	33377	3/4"-10 x 5-1/2" Gr.5 Cap Screw	4
	30032	3/4"-10 Lock Nut	4
	32878	Gauge Wheel	4
5.	33412	Blades	3
6.	26065	Side Discharge Shield	1
7.	30068	1/2"-13 x 1-1/4" Gr.2 Cap Screw	4
8.	24794L	Left Rear Yoke Assembly	1
9.	30783	1/8"PTF Special Extra Short Grease Zerk	4
10.	24798	Wheel Guide Assembly	2
11.	30027	5/8"-11 Lock Nut	2
12.	30078	1/2"-13 x 3" Gr.2 Cap Screw	4
13.	30126	1/2" Lock Washer	4
	30020	1/2"-13 Hex Nut	4
14.	KTR505	1-1/2" Spacer	4
15.	KTR504	1" Spacer	4
16.	KTR503	1/2" Spacer	4
17.	KTR298L	Left Skid Assembly	1
18.	KTR510	Gauge Wheel Washer	4
19.	32881	3/16" Lynch Pin	4
20.	24793L	Left Gauge Wheel Support Weld Assembly	1
21.	26062	Engine Mount Assembly	1
22.	24791	Left Top Shield	1
23.	24792	Right Top Shield	1
24.	30014	3/8"-16 Wing Nut	4
25.	30136	3/8" Washer	4
26.	30087	5/8"-11 x 2" Gr.2 Cap Screw	2
	30139	5/8" Flat Washer	4
	23807	Hilch Bushing	2
	30128	5/8" Lock Washer	2
27.	30026	5/8"-11 Hex Nut	2
	31875	7/16"-20 x 1-1/4" Gr.8 Cap Screw	1
	30137	7/16" Flat Washer	1
28.	32389	1" Clutch	1
29.	23709	Hilch Weld Assembly	1
30.	31312	Ball Joint	1
31.	24793R	Right Gauge Wheel Support Weld Assembly	1
32.	24380	Yoke Assembly	2
33.	30018	3/8"-16 Hex Nut	5
	30124	3/8" Lock Washer	5
	30136	3/8" Flat Washer	5

Ref. #	Part #	Description	No. Req'd.
34.	24794R	Right Rear Yoke Assembly	1
35.	KTR491M	Single Sheave	2
36.	KTR131-094	94" Bell	1
37.	30018	3/8"-16 Hex Nut	2
38.	KTR431	Idler Spacer	1
39.	KTR528	Idler Tightener	1
40.	KTR140	Idler Pulley	1
41.	31246	5/8"-11 Lock Nut	1
42.	KTR492M	Double Sheave	1
43.	KTR131-048	48" Bell	1
44.	30010	5/8"-11 x 2" Carriage Bolt	1
45.	30036	3/4"-16 Lock Nut - Thin	3
46.	30256	3/8"-16 x 1" Gr.5 Cap Screw	9
	31248	3/8" Belleville Washer	9
47.	31247	3/8"-16 Gr."C" Gripco Lock Nut	9
48.	PT028	#10-24 x 3/4" Cap Screw with	2
	30121	#10 Lock Washer	2
	32558	#10-24 Nut	2
49.	32560	#10 Flat Washer	2
50.	24210	Throttle Control Bracket Assembly	1
51.	32787	Throttle Controls	1
	30041	1/4"-20 x 3/4" Cap Screw with	2
	30122	1/4" Lock Washer	2
	30015	1/4"-20 Hex Nut	2
52.	32788	1/4" x 3/4" x 1-1/4" "U" Bolt with	2
		1/4" Nuts & Mounting Plate	
53.	32561	Wire Connector-10 Gauge Wire-3/16" Ring	3
54.	32569	46" Piece of 10 Gauge Wire (Red)	1
55.	32807	Starter Bulbon	1
	30134	5/16" Flat Washer	2
	30123	5/16" Lock Washer	2
	30017	5/16"-24 Hex Nut	4
56.	32569	12" Piece of 10 Gauge Wire (Red)	1
	32494	Plug	2
	30049	5/16"-18 x 1-3/4" Gr.2 Cap Screw	4
	30123	5/16" Lock Washer	4
	30134	5/16" Flat Washer	4
	30016	5/16"-18 Hex Nut	4
	30563	1/4" x 1-3/4" Key	1

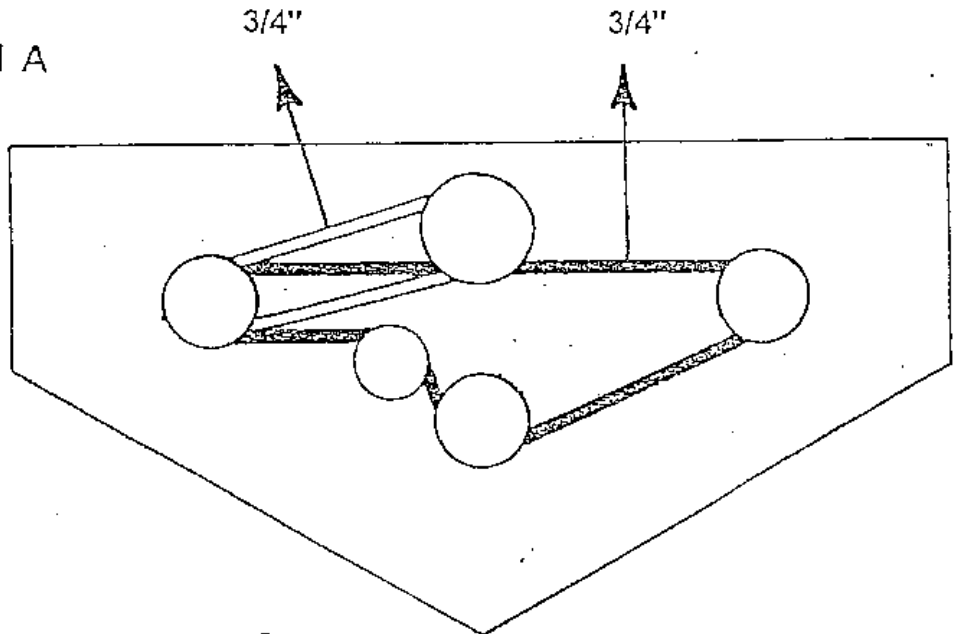
* NOT SHOWN, Used for 12.5 H.P. Engine
 B0112 12.5 H.P. I.C. Engine
 B1023 Throttle & Starter Controls Assembly
 Cc sistis of Items 40 - 57

ROTOR ASSEMBLY



Ref. No.	Part No.	Description	No. Req'd.
1.	30036	3/4"-16 Lock Nut	1
2.	31773	Grease Zerk	1
3.	22698	Grease Seal	1
4.	20388	Snap Ring	1
5.	31770	Ball Bearing.....	2
6.	26059	Rotor Spindle	1
7.	31667	Wave Washer	1
8.	22325	Rotor Housing	1
9.	31669	Grease Seal	1
10.	22687	Blade Hub	1
11.	33411	7/16" Belleville Washer.....	1
12.	31875	7/16"-20 x 1-1/4" R.H. Gr.8 C.S.....	1
26070		Complete Rotor Assembly	

ILLUSTRATION A



MAINTENANCE

MAINTENANCE AND LUBRICATION

Proper servicing and adjustments are the key to the long life of any machine. With careful and systematic inspection of the mower, you can avoid costly maintenance, time and repair.

WARNING



For safety reasons, each maintenance operation must be performed with the mower lowered completely to the ground or on safety supported blocking, the tractor engine turned off and the ignition key removed.

WARNING



TO PREVENT ACCIDENTAL STARTING:
Remove the spark plug wire when servicing the engine or equipment

LUBRICATE DAILY:

1. Tailwheel spindle tube
2. Tailwheel

OIL LEVEL

Check every 5 hours of operation or daily.
Oil capacity is about 1-1/2 quarts (48 ounces)

SERVICING CUTTING BLADES

WARNING



Use only CONTINENTAL BELTON COMPANY blades. They are made specifically for this mower. Substitute blades may not meet specifications and could be dangerous.

Always disconnect the spark plug wires from the engine before working on the blades.

Keep all blade bolts tight and, for better mowing, keep all blades sharp. Inspect the blades before each use to determine that they are properly installed and in good condition. Replace any blade that is bent, excessively nicked, worn or has any other damage. Always use Continental Belton Company blades.

TO REPLACE BLADES

1. Replace all blades at the same time to maintain proper balance in the cutting unit.
2. Order genuine CONTINENTAL BELTON COMPANY blades and blade bolt kit.
3. Torque blade bolt lock nut to 600 ft. pounds. An extended cheater bar may be required to achieve proper torque.

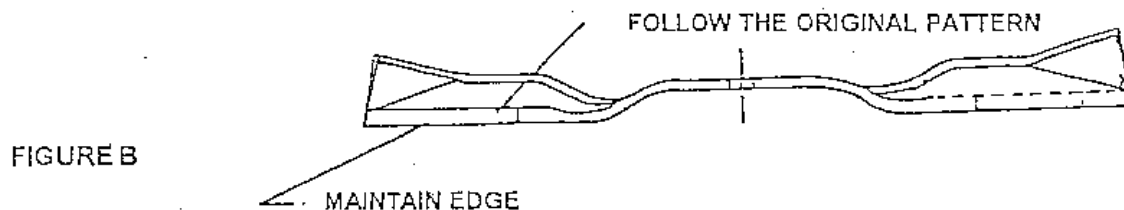
MAINTENANCE

BLADE SHARPENING

All blades should be sharpened at the same angle as the original cutting edge. All blades must be replaced or reground at the same time to maintain proper balance in the cutting unit.

1. Sharpen all blades at the same time to maintain balance. The difference in blade weight should not exceed 1 ounce. Unbalanced blades will cause excessive vibration which can damage gearbox bearings. Vibration may cause structural cracks in the mower housing.
2. Examine bolts for excessive wear and replace if necessary.
3. Follow the original pattern of the blade.
4. Sharpen the blades by grinding. Do not heat and pound out the edge. Do not sharpen to a razor edge. Do not sharpen the back side of the blade. See Figure B.

NOTE: DO NOT remove any more material than necessary when sharpening the blades.



STORAGE

Your mower represents an investment from which you should get the greatest possible benefit. Therefore, when the season is over, the mower should be thoroughly checked and prepared for storage so that a minimum amount of work will be required to put it back into operation for the next season. The following are suggested storage procedures.

1. Thoroughly clean the mower.
2. Lubricate the mower as covered in the Maintenance Section.
3. Tighten all bolts to the recommended torque.
4. Check the mower for worn or damaged parts. Make replacements immediately using genuine Continental Belton Company parts.
5. Store the mower in a clean, dry place with the mower housing resting on blocks.
6. Use spray touch-up enamel where necessary to prevent rust and maintain the appearance of the mower.

TROUBLE SHOOTING GUIDE

<u>TROUBLE</u>	<u>POSSIBLE CAUSE</u>	<u>POSSIBLE REMEDY</u>
EXCESSIVE VIBRATION	1. Check for loose nuts on blades.	Tighten if loose.
	2. Check for bent output shaft. If shaft is bent, oil will normally leak from bottom seal.	Replace shaft if bent.
	3. Check to see if blades are free swinging.	Free blades so they will swing.
	4. Check for even wear on each blade tip. Were all blades changed at the same time?	Weigh blades, Weight should be within 1 oz. Always replace both blades.
	5. Blade broken.	Replace blades, in sets.
NOT MOWING CLEAN	1. Blades dull.	Sharpen or replace blades.
	2. Mower not level.	See mowing height adjustment.
	3. Tractor tires mashing down grass.	Reverse direction of mowing and drive with one tractor tire out of mower overlap area. Conditions too wet to cut.
	4. Ground speed too fast.	Reduce ground speed by shifting to a lower gear.
	5. Blades locked back.	Free blades.
BLADE WEARS TOOFAST	1. Mowing in rocky conditions.	Increase mowing height.
	2. Mowing in sandy conditions.	Increase mowing height. Keep blade at least 1" above the ground.
STREAKING CONDITIONS	1. Conditions too wet for mowing. Blades unable to mow that part of grass pressed down by path of tractor tires.	Allow grass to dry before mowing. Slow ground speed of tractor. Mowing lower may help.
	2. Dull blades.	Sharpen or replace blades
	3. Height of mower lower at front or rear.	See mowing height instructions.
	4. Bolt hole elongated or oversized	Replace bushing or blade carrier.
	5. Lock nut worn out.	Replace lock nut.

WARRANTY

AG. - MEIER, INC. warrants to the original purchaser of new AG. - MEIER, INC. Products, that they are free of defects in material and workmanship. This Warranty is applicable only for the normal life expectancy of the unit or individual components for a period of one year from the date of original purchase if for personal use; 90 days if for commercial or rental purposes. Warranty coverage is limited to replace any part, at no charge to the original purchaser, that in our judgment shows evidence of a defect, provided that upon written request any such defective part is returned to AG. - MEIER, INC. within 30 days of failure.

This Warranty does not apply to any part or product which in AG. - MEIER, INC.'s judgment has been subjected to negligence, alteration, or modification. Equipment that has been damaged due to lack of maintenance or the use of the wrong oil or lubricants, or that has been used for a purpose for which the product is not designed is also excluded from the Warranty.

For maximum safety and to guarantee optimum product reliability, always use genuine AG. - MEIER, INC. parts. The use of replacement parts manufactured by companies other than AG. - MEIER, INC. invalidates this Warranty.

Claims under this Warranty must be made to the dealer which originally sold the product. AG. - MEIER, INC. reserves the right to make changes in material or design of the product at any time without notice.

This Warranty shall not be interpreted to render AG. - MEIER, INC. liable for damages of any kind; direct, consequential, or contingent, to property. Furthermore, AG. - MEIER, INC. shall not be liable for damages resulting from any cause beyond its reasonable control. This Warranty does not extend to any expense due to loss for labor, supplies, rental machinery or for any other reason. This Warranty does not apply to any part of any internal combustion engine, driveline component, or expendable items such as blades, shields, guards, or tires as specifically found in the Operator's Manual.

Except as provided herein, no employee, agent, Dealer or other person is authorized to give any warranties of any nature on behalf of AG. - MEIER, INC. This Warranty is not effective unless the Purchaser returns the Registration Form to the Manufacturer within 30 days of purchase.

No other warranty of any kind whatsoever, express or implied, is made with respect to this sale; and all implied warranties of merchantability and fitness for a particular purpose which exceed the obligations set forth in this written Warranty are hereby disclaimed and excluded from this sale.

If any provision of this limited Warranty shall violate any applicable law, and is held to be unenforceable, then the invalidity of such provision shall not invalidate any other provision herein.

MODEL # _____

SERIAL # _____



RETURN WITHIN 30 DAYS TO:

AG-MEIER INDUSTRIES LLC
920 E. 6TH AVENUE
BELTON, TX 76513

FOLD ALONG DOTTED LINES, STAPLE AND MAIL

PRODUCT NAME _____ SERIAL NUMBER _____
PURCHASER _____ DATE DELIVERED _____
ADDRESS _____ CITY _____
COUNTY _____ STATE _____ ZIP _____
DEALER _____ DEALER ACCOUNT # _____
CITY _____ STATE _____ ZIP _____

I have received and read the operating manual for the product described from my dealer or AG-MEIER INDUSTRIES and fully understand the WARRANTY PROVISIONS, OPERATIONS, SAFETY, SAFE OPERATION OF THE PRODUCT, MAINTENANCE, LUBRICATION, ADJUSTMENT and SAFETY EQUIPMENT.

I have examined the product and accept it in complete and satisfactory condition. I have also examined all the warning/safety labels and understand the dangers of unauthorized repairs and alterations of the product. I further understand that attempting to operate this product outside of the specified design parameter will void the warranty as stated in the operating manual. I also understand that this warranty is considered null and void if I use any replacement parts other than those approved by AG-MEIER INDUSTRIES. All warranty work MUST BE APPROVED by the warranty manager at AG-MEIER INDUSTRIES factory BEFORE any item replacement or labor costs will be reimbursed.

DATE _____

PRINTED OR TYPED NAME _____

PURCHASER'S SIGNATURE _____

AG-MEIER INDUSTRIES LLC
920 E. 6TH AVENUE
BELTON, TX 76513