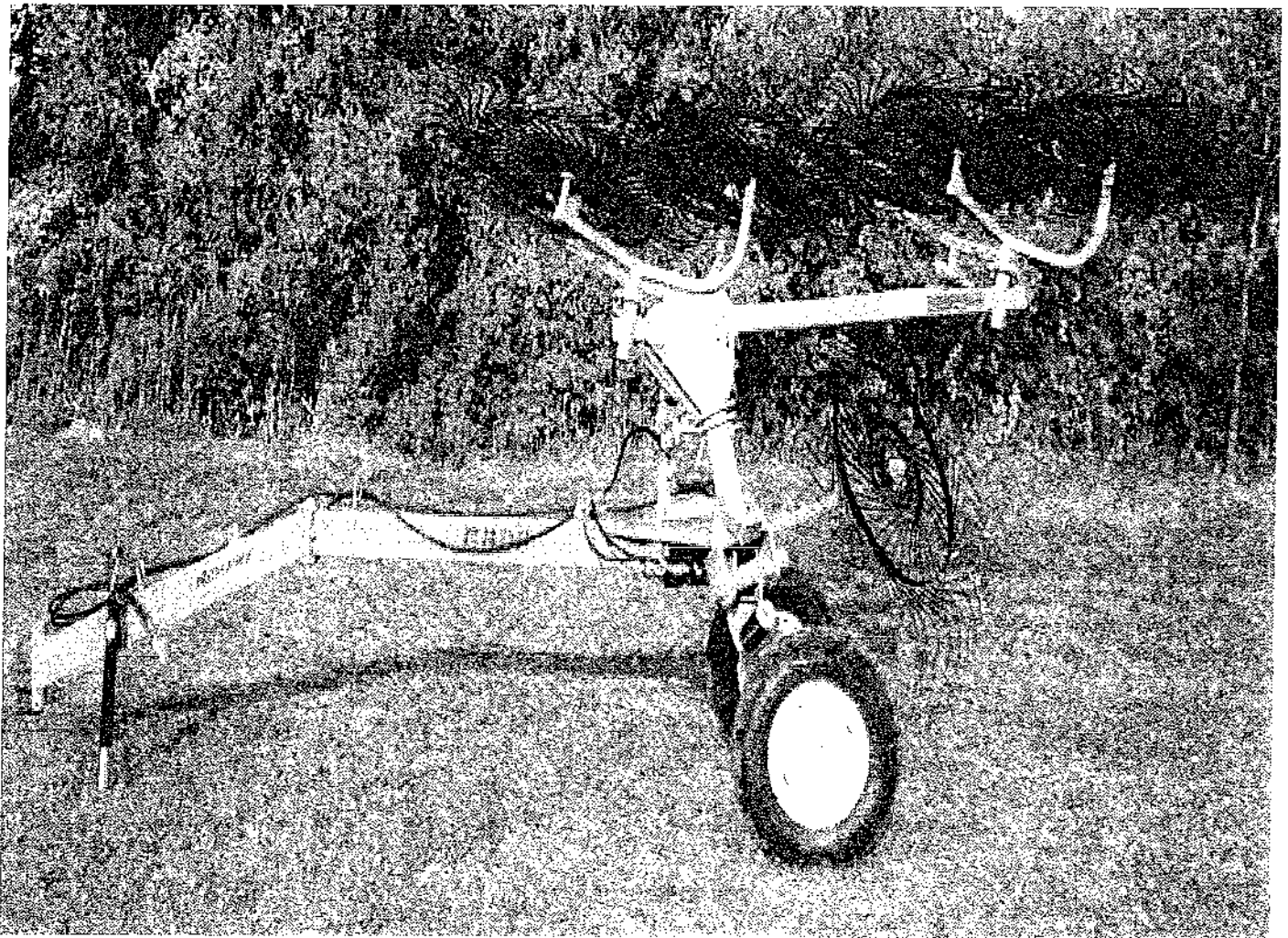


MOHAWK

CARTED V-RAKES

MANUFACTURED BY
AG-MEIER IND. L.L.C.
(254) 939-3731
1-800-446-7319

OPERATORS MANUAL



THIS MANUAL MUST BE READ AND UNDERSTOOD BEFORE ANYONE OPERATES THIS MACHINE!

**YOU MUST FILL OUT YOUR WARRANTY REGISTRATION
TO ACTIVATE YOUR WARRANTY AND TO QUALIFY FOR
PARTS AND SERVICE!!**

To the Owner;

Thank-You for choosing a quality wheel rake from AG-MEIER IND, LLC. We strive to give you the best equipment and the best level of service of any company. With a little care and maintenance this machine will do your work for you for many years. In this manual, we make an effort to get you better acquainted with the rake so you can achieve maximum performance. We design and build all of our equipment with the end user in mind so we welcome any suggestions or ideas for improvement.

Please take a few minutes to fill out the area below. This information will be valuable to you when ordering parts or requesting service from your dealer.

Dealer Name: _____

Dealer Phone Number: _____

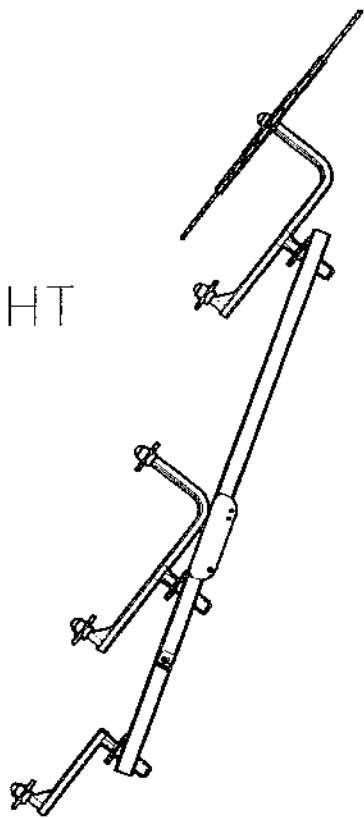
Service Manager/Technician: _____

Model# and Description: _____

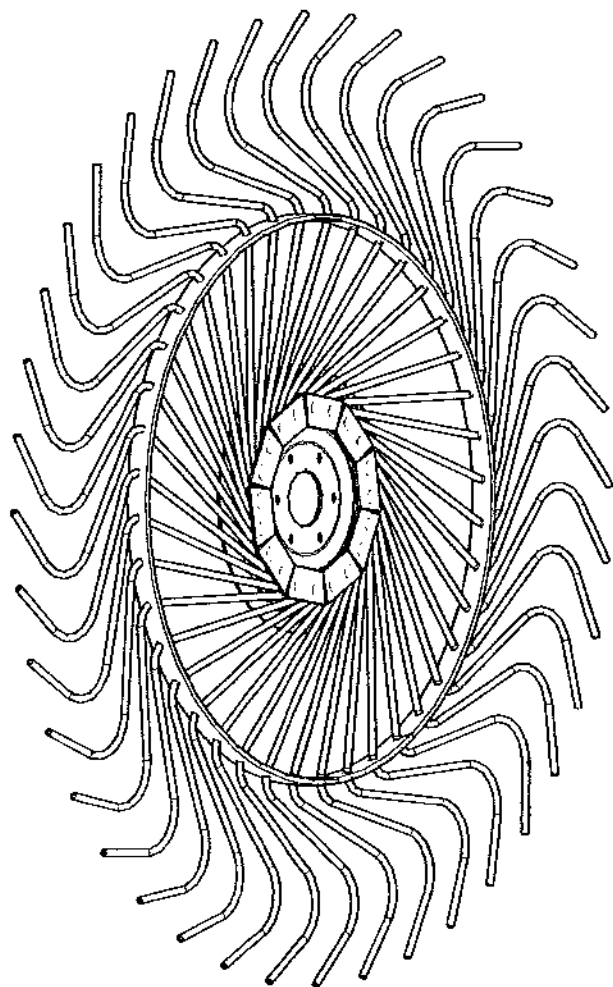
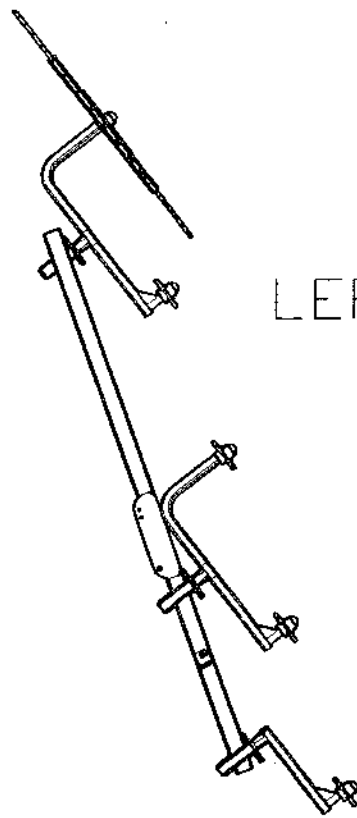
Serial Number: _____

Date of Purchase: _____

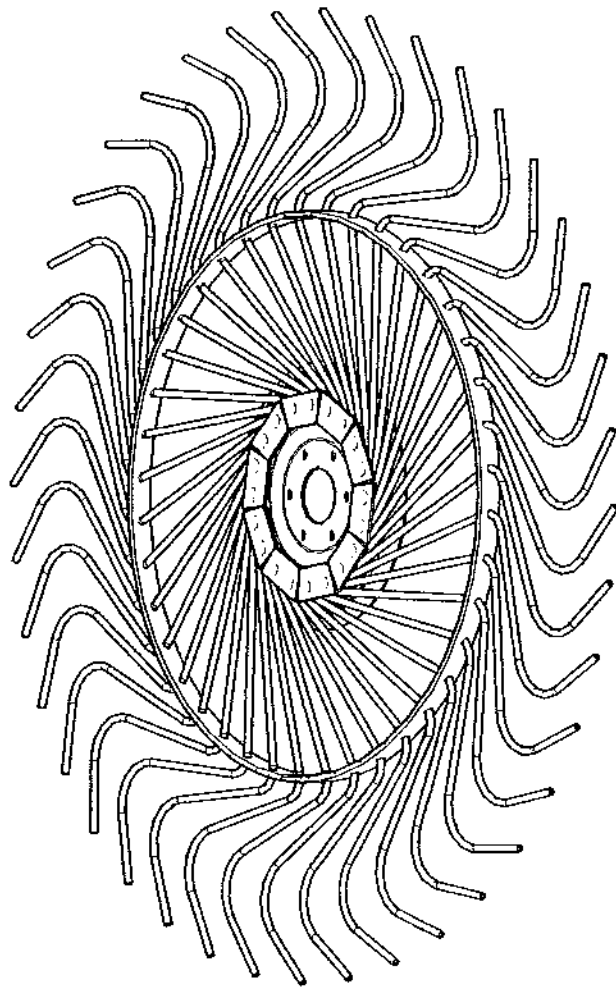
RIGHT



LEFT



RIGHT



LEFT &
CENTER

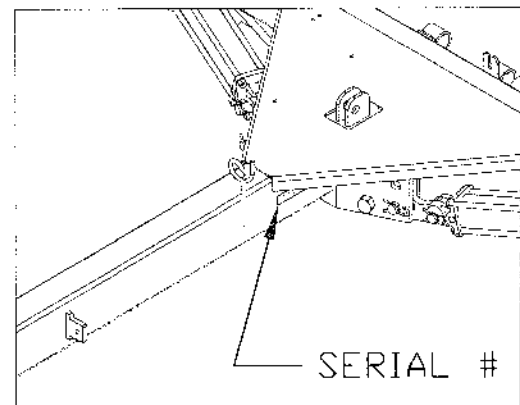
INTRODUCTION

Thank-You for choosing a Mohawk GB hay rake. Your rake is the result of years of research and development work. This Operator's Manual will familiarize the operator with the safety and operation of the machine. Included are complete instructions for safe and efficient operation, lubrication, and maintenance procedures. Understanding and following these procedures will result in years of maximum performance from your rake.

Read entire manual before operating. Failure to follow the instructions outlined in this manual may result in personal injury and/or damaged equipment, and could void the warranty.

Rake Serial Number

The rake's serial number can be found on the frame brace on the left side of the machine. Please use this number when requesting service, seeking information, or ordering parts. For the operator's convenience, space to record the serial number, model number, purchase date, and dealer has been provided inside the front cover of this manual.












All pictures and instructions in this manual assume that the right and left side of the machine are that of someone standing behind the rake facing forward.

Specifications

	GB08	GB10	GB12
Working Width	16'2"–18'2"	19'0"–21'6"	22'0"–25'0"
Minimum Windrow Width	3'	3'	3'
Maximum Windrow Width	9'	9'	9'
Swath Delivery	Central & Windrow Turning		
No. of Raking Wheels	8	10	12
Rake Wheel Mounting	Floating Wheel Pairs		
Rake Wheel Diameter	55"	55"	55"
No. Tines / Wheel	40	40	40
Tire Size	7.00 x 15 8 PLY		
Minimum & Maximum Transport Height	7'8" to 8'8"		
Transport Width	10'4"	10'4"	10'4"
Minimum HP Required	20	20	20
No. Hydraulic Remotes Required	1 Set	1 Set	1 Set
Weight	1610 lbs.	1775 lbs.	2005 lbs.
Kicker Wheel	Standard	Standard	Standard

SAFETY

-  ***This symbol precedes specific safety instructions throughout this manual. When reading the manual pay close attention to the information that follows this symbol***
-  **FAILURE TO FOLLOW INSTRUCTIONS IN THIS MANUAL COULD RESULT IN PERSONAL INJURY OR DEATH. READ ENTIRE MANUAL BEFORE OPERATING THE RAKE.**
-  **Keep hands, feet, and clothing away from all moving parts.**
-  **Never allow anyone to ride on the rake or the tractor.**
-  **Be constantly aware of the location of the ends of the rake to avoid collision with other objects.**
-  **When transporting the machine on public roads use the proper reflectors, lights, and slow moving vehicle signs required by local government agencies.**
-  **Stop the tractor engine, remove ignition key, and allow all mechanisms to stop before cleaning, adjusting, or lubricating the machine.**
-  **Stay clear of the rake when raising or lowering the rake wheel beams to avoid injury from the rake tines.**
-  **Stay clear of hydraulic lines, they may be under extreme pressure or heat. Never go near a hydraulic leak until the pressure has been relieved and the leaking has stopped. A high pressure hydraulic leak can easily penetrate your skin and cause serious injury, gangrene or death.**


We at AG-MEIER IND. LLC. try to provide safety shield and guards wherever possible, however, it is impossible to shield every area that could be dangerous. We will not be responsible for carelessness and misuse of any of our equipment.

SAFETY

Safety Decals and Reflectors

Decals and reflectors are for the protection of yourself and others. If they are missing, faded, or not readable, get replacements from your dealer immediately. Shown below are some of the warning decals

▲ WARNING



PINCH POINTS

▲ CAUTION

1. KEEP ALL SHIELDS IN PLACE.
2. STOP ENGINE BEFORE LEAVING OPERATOR'S POSITION TO ADJUST, LUBRICATE, CLEAN OR UNLOAD MACHINES, UNLESS OTHERWISE SPECIFICALLY RECOMMENDED IN THE "OPERATOR'S MANUAL."
3. WAIT FOR ALL MOVEMENT TO STOP BEFORE SERVICING MACHINE.
4. KEEP HANDS, FEET AND CLOTHING AWAY FROM POWER-DRIVEN PARTS.
5. KEEP OFF EQUIPMENT UNLESS SEAT OR PLATFORM FOR OPERATION AND OBSERVATION IS PROVIDED.
6. KEEP ALL OTHERS OFF.
7. USE FLASHING, WARNING LIGHTS WHEN OPERATING ON HIGHWAYS EXCEPT WHEN PROHIBITED BY LAW.
8. MAKE CERTAIN EVERYONE IS CLEAR OF MACHINE BEFORE STARTING ENGINE OR OPERATION.

▲ CAUTION


MAXIMUM SAFE TOWING SPEED

25 MPH

▲ CAUTION

ALWAYS USE WARNING FLASHERS ON TRACTOR EXCEPT WHEN PROHIBITED BY LAW


▲ WARNING



TO AVOID SERIOUS INJURY OR DEATH:

- LOCK WINGS UP FOR TRANSPORT.
- STAND CLEAR IF LOWERING OR RAISING WINGS.
- DECREASE SPEED WHEN TURNING, BE CAREFUL ON SLOPED OR UNEVEN TERRAIN WITH WINGS IN RAISED POSITION.
- BE ALERT TO OVERHEAD OBSTRUCTIONS AND ELECTRICAL WIRES WITH WINGS IN RAISED POSITION.

▲ WARNING



IMPLEMENT CAN FALL FROM HYDRAULIC SYSTEM FAILURE. TO AVOID SERIOUS INJURY OR DEATH:

- BLOCK UP OR SECURELY SUPPORT IMPLEMENT BEFORE WORKING UNDERNEATH.
- PURGE ALL AIR FROM HYDRAULIC SYSTEM BEFORE ATTEMPTING TO RAISE OR LOWER THIS IMPLEMENT.
- STAND CLEAR IF LOWERING OR RAISING IMPLEMENT.
- DO NOT USE HAND OR SKIN TO CHECK FOR HYDRAULIC LEAKS. USE CARDBOARD OR WOOD.
- HIGH PRESSURE OIL LEAKS CAN PENETRATE SKIN CAUSING SERIOUS INJURY AND GANGRENE. CONSULT A PHYSICIAN IMMEDIATELY.
- LOWER THE IMPLEMENT AND RELEASE HYDRAULIC PRESSURE BEFORE LOOSENING FITTINGS.
- REFER TO OWNERS MANUAL FOR DETAILS.

▲ WARNING

- NEVER TRANSPORT EQUIPMENT WITHOUT CORRECTLY INSTALLING TRANSPORT LOCK. SEE OPERATORS MANUAL FOR CORRECT INSTALLATION.
- FAILURE TO PROPERLY INSTALL TRANSPORT LOCK ARMS COULD RESULT IN EQUIPMENT DAMAGE, SERIOUS INJURY OR DEATH.

STAY CLEAR OF MACHINE WHILE FOLDING AND WHILE IN OPERATION

HITCHING



Check tires to make sure they are inflated to the correct pressure. Recommended pressure is written on the sidewall of the tire.



Check lug bolts. Bolts should be torqued to 65 - 75 ft. lbs.



Perform a quick visual check of all hardware on the rake. Vibrations from normal use can cause bolts to loosen, especially on new machinery.

Align the hole in the tractor draw bar with the hole in the rake tongue and insert an approved hitch pin. Lock the hitch pin with a safety clip to insure it cannot work its way out.

Remove the jack from the hitch and place onto the storage position. (Figure 1)

Connect hydraulic hoses to a double acting valve on the tractor.

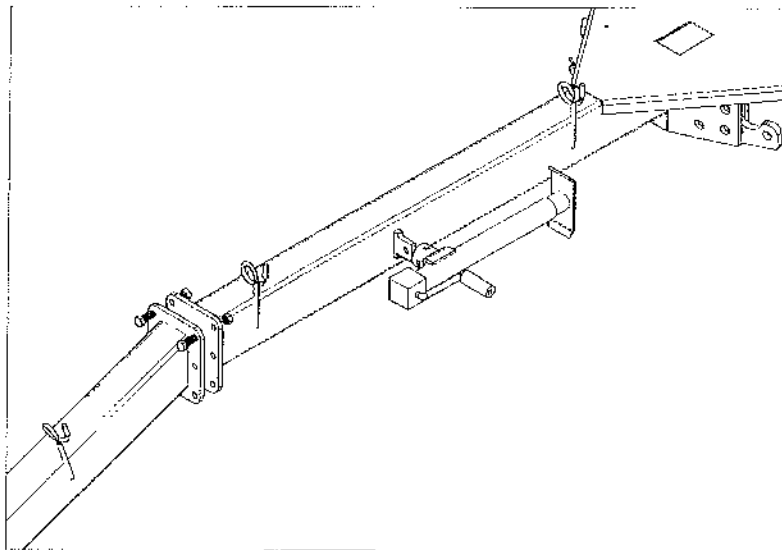


Figure 1

TRANSPORTING



Never travel at speeds of more than 20 MPH



Remain fully aware of the width of the rake in relation to the objects you are passing, either stationary or moving.

Make sure the rake wheels are up in the transport position. Engage the transport lock plate (Figure 2) by sliding it out over the inner arm. Secure the center wheel with the lock bar (Figure 3). This will keep the arms secured in case of a hydraulic failure.

Follow all local regulations for moving agricultural equipment on public roads, especially those related to lights, reflectors, SMV (slow moving vehicle) symbols and safety markers

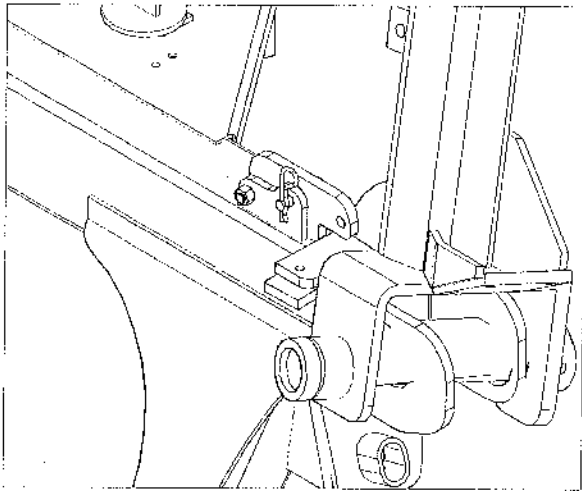


Figure 2

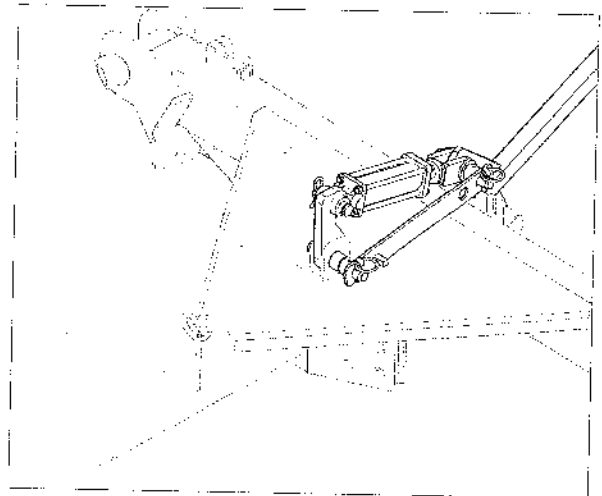


Figure 3

OPERATION



Check for proper assembly and adjustment and make sure that all bolts are tightened. Recheck all bolts after a few hours of operation as bolts can loosen up on new machinery. Check wheel lug bolts upon delivery and periodically thereafter.

To lower the rakes to the working position, turn off tractor and remove the key. Remove the transport lock pins and slid the transport locks off of the inner arms (Figure 2). Reinstall the transport lock pins(Figure 4). Remove the lock bar for the center wheel(Figure 3 and 5). Get back on the tractor and lower the rake arms to the working position with the hydraulics. When the arms are down, put the hydraulic lever in the float positio



Keep bystanders and animals clear of the spreading wings. Serious injury can occur from being hit by either the rake wheels or the rake beam.

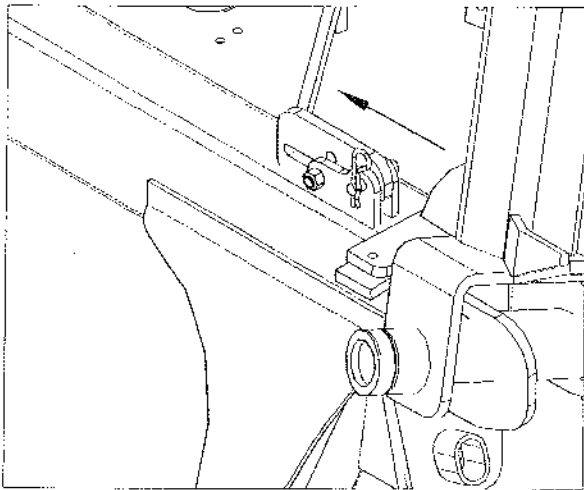


Figure 4

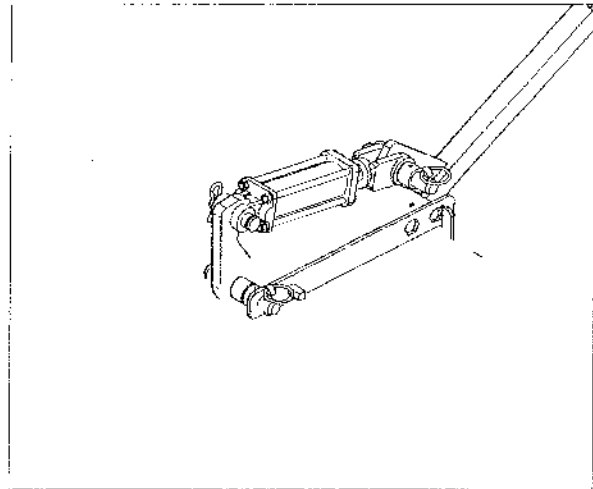


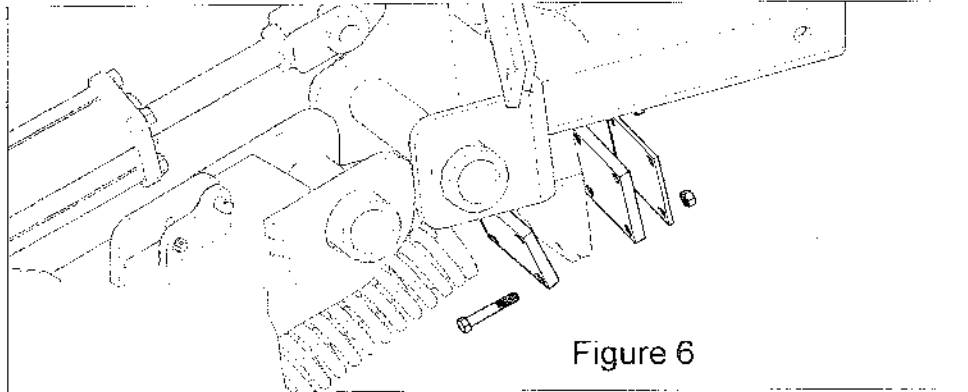
Figure 5

Begin raking at a low ground speed until you are comfortable with the rake and then increase your speed as desired. On good level ground you will be able to make a clean sweep at speeds up to 10MPH. If the fields are rough you will want to stay in the 5-8MPH range.

ADJUSTMENTS

GROUND PRESSURE

The rake wheel ground pressure can be adjusted moving the spring plates on the inner arms(Figure 6). Raise the rake arms and secure them with the transport lock plates. Move the appropriate amount of plates to the side that the spring bumps to achieve the desired ground pressure.

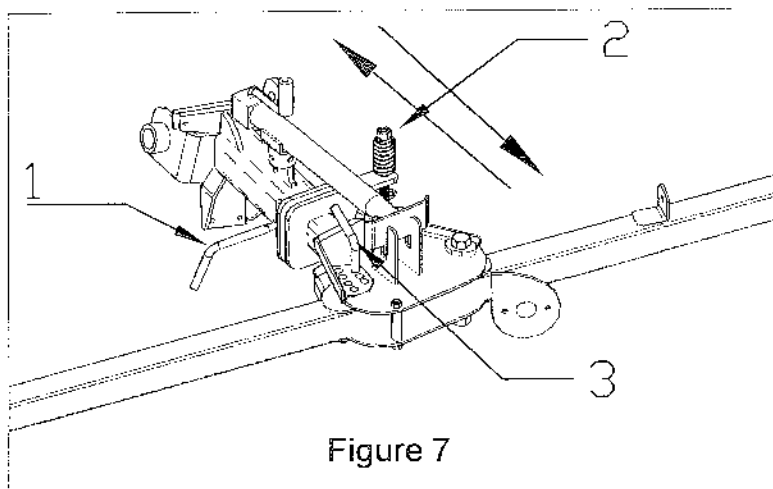


Working Width (Figure 7)

The width can be adjusted by sliding the outer arm in or out. Loosen the nut on the wing leveler spring (2) till the pressure is off the spring. Remove pin (1) and use the jack to slide the outer arm to the desired position. Install pin (1) and secure it with the retaining pin. Re-tighten nut (2).

Rake Arm Angle (Figure 7)

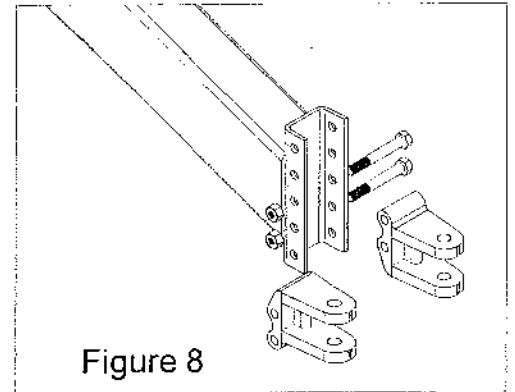
The hay rake arms can be pivoted and locked into different positions using pin (3). Change the rake wheel angle by rotating hay rake arms. The hay rake arm can be pivoted to obtain a different working angle and further variation of the swath. Pin (3) is inserted in the different holes in the outer adjustment arm.



ADJUSTMENTS

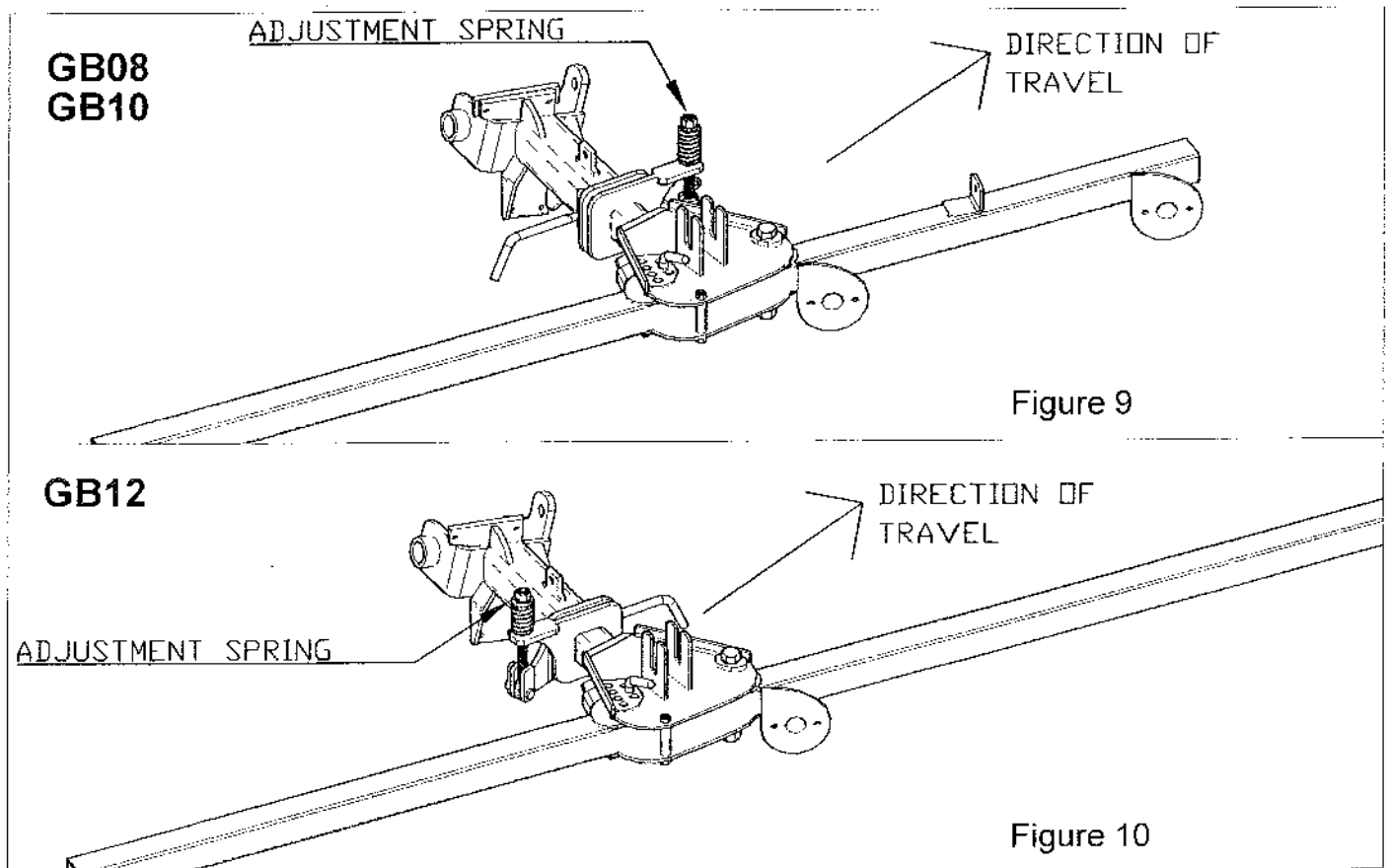
Hitch (Figure 8)

The clevis hitch can be moved up or down to accommodate various draw bar heights. Simply remove the two bolts that attach the hitch and move to the desired position. By turning the hitch upside-down, additional settings are available.



Outer Wing Level: GB08 & GB10 (Figure 9) GB12 (Figure 10)

The outer wing arms can be adjusted to maintain even ground pressure from front to rear. On the GB08 and GB10, the adjustment is on the front side or the adjustment arm. Tighten down on the the adjustment spring to lessen the ground pressure on the rear rake wheels. On the GB12, the adjustment is on the rear side of the adjustment arm. Tighten down on the adjustment spring to lessen the ground pressure on the front rake wheels. The lock bar for the center rake wheel can be used for a wrench to make these adjustments.



Kicker Wheel Option

Mohawk offers a kicker wheel attachment to be mounted on the back of the rake. The kicker wheel will move the hay that lays below the center of the rake and does not get touched by the two main rake beams. If you are raking hay that is not completely dry and you do not use the kicker wheel the moisture will become trapped as the other hay is being thrown on top. If the center kicker wheel is not needed, leave the lock bar in place. The cylinder lug will pivot forward when the cylinder is extended. (Figure 11)

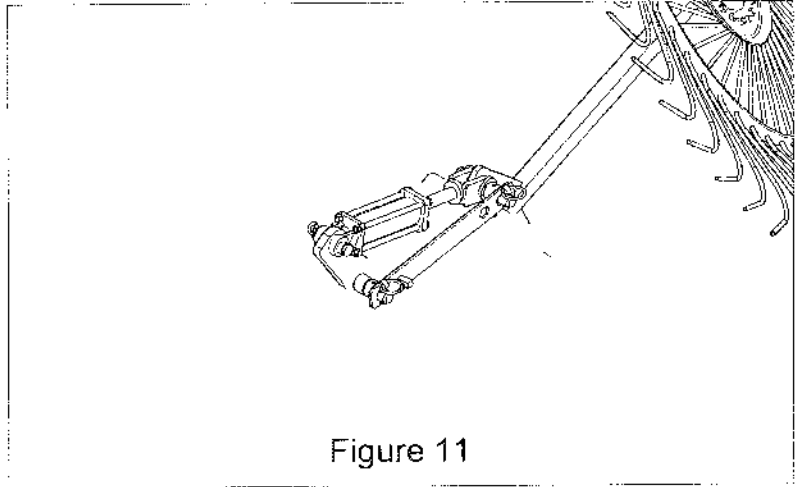


Figure 11

One Wing Operation

On the side that you do not want to lower, leave the transport lock plate in the transport position (Figure 12). Remove pin (1, Figure 13), and store it in the upper hole. This will allow the cylinder to swing down when extended.

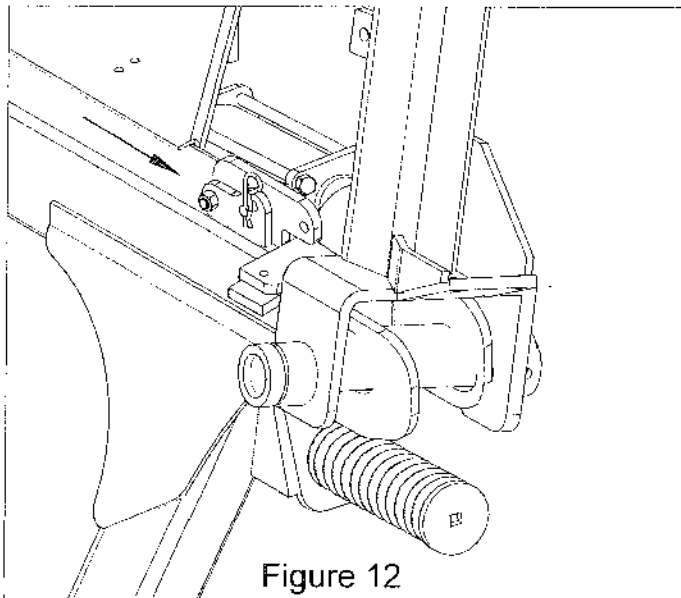


Figure 12

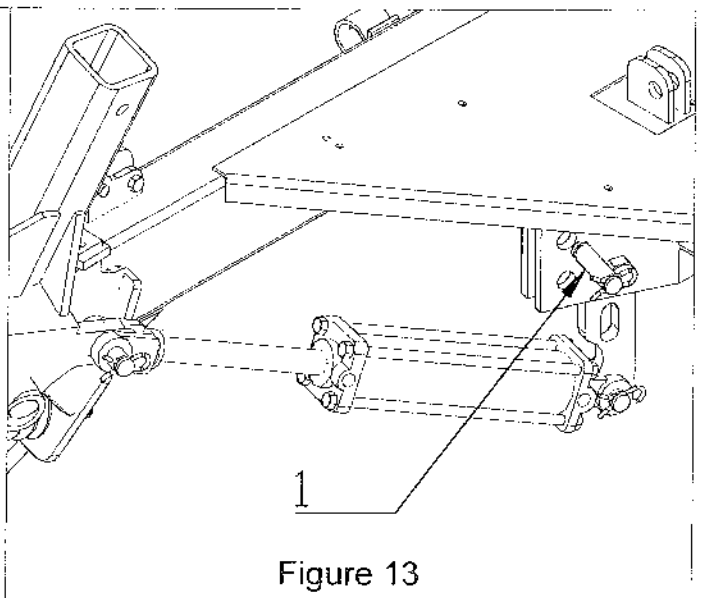
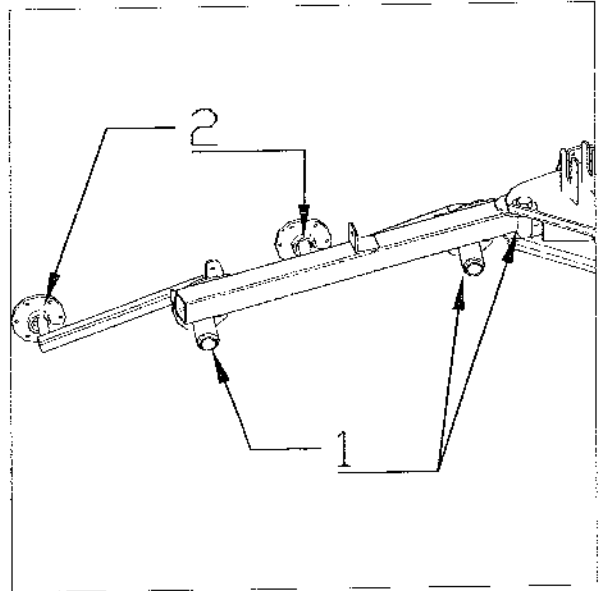
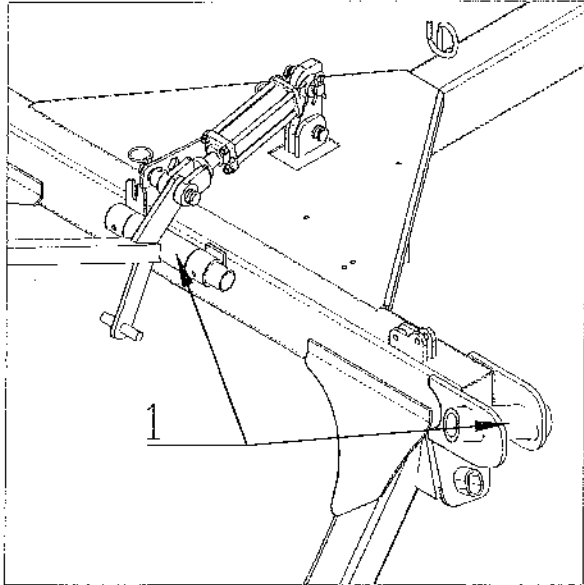
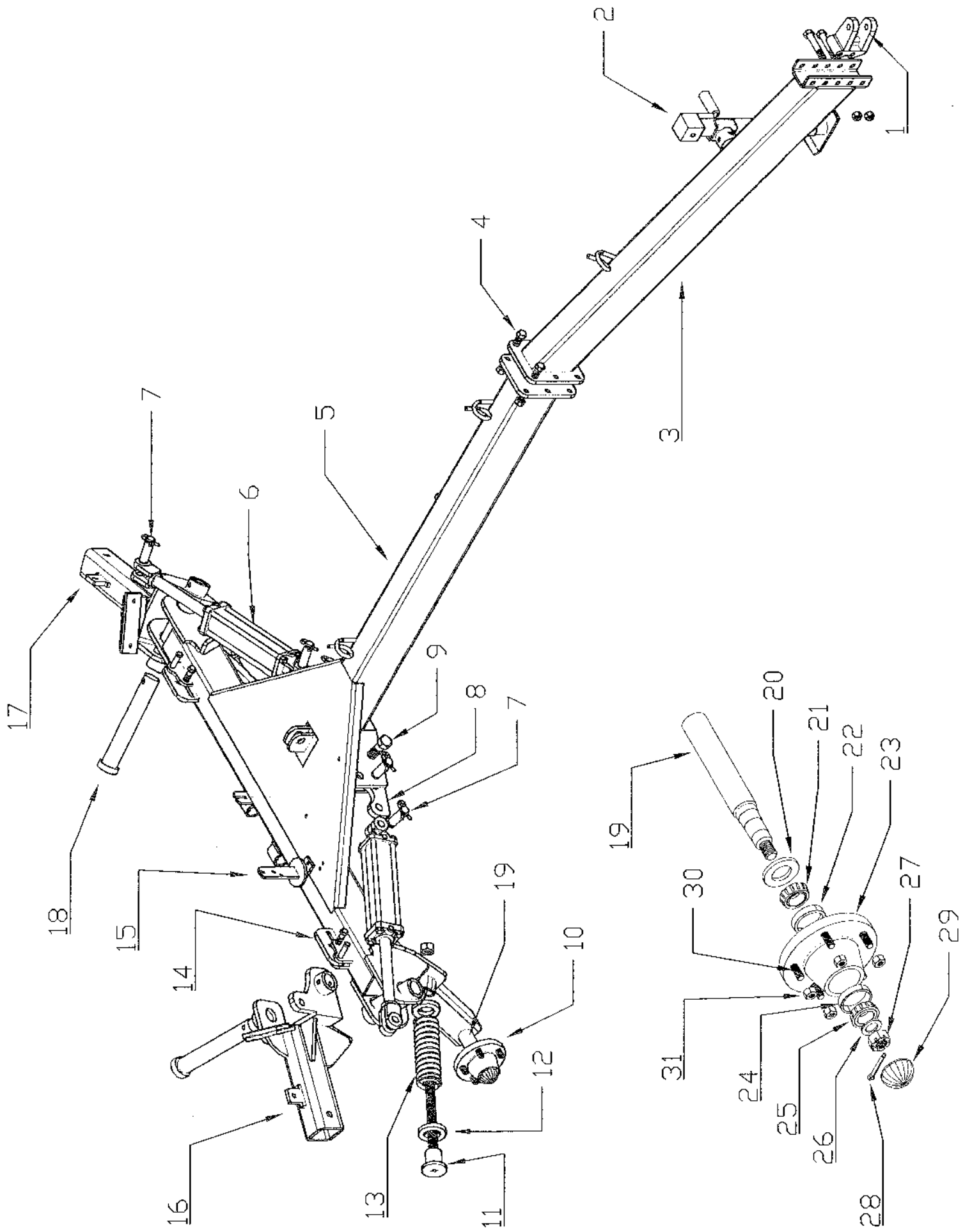


Figure 13

LUBRICATION

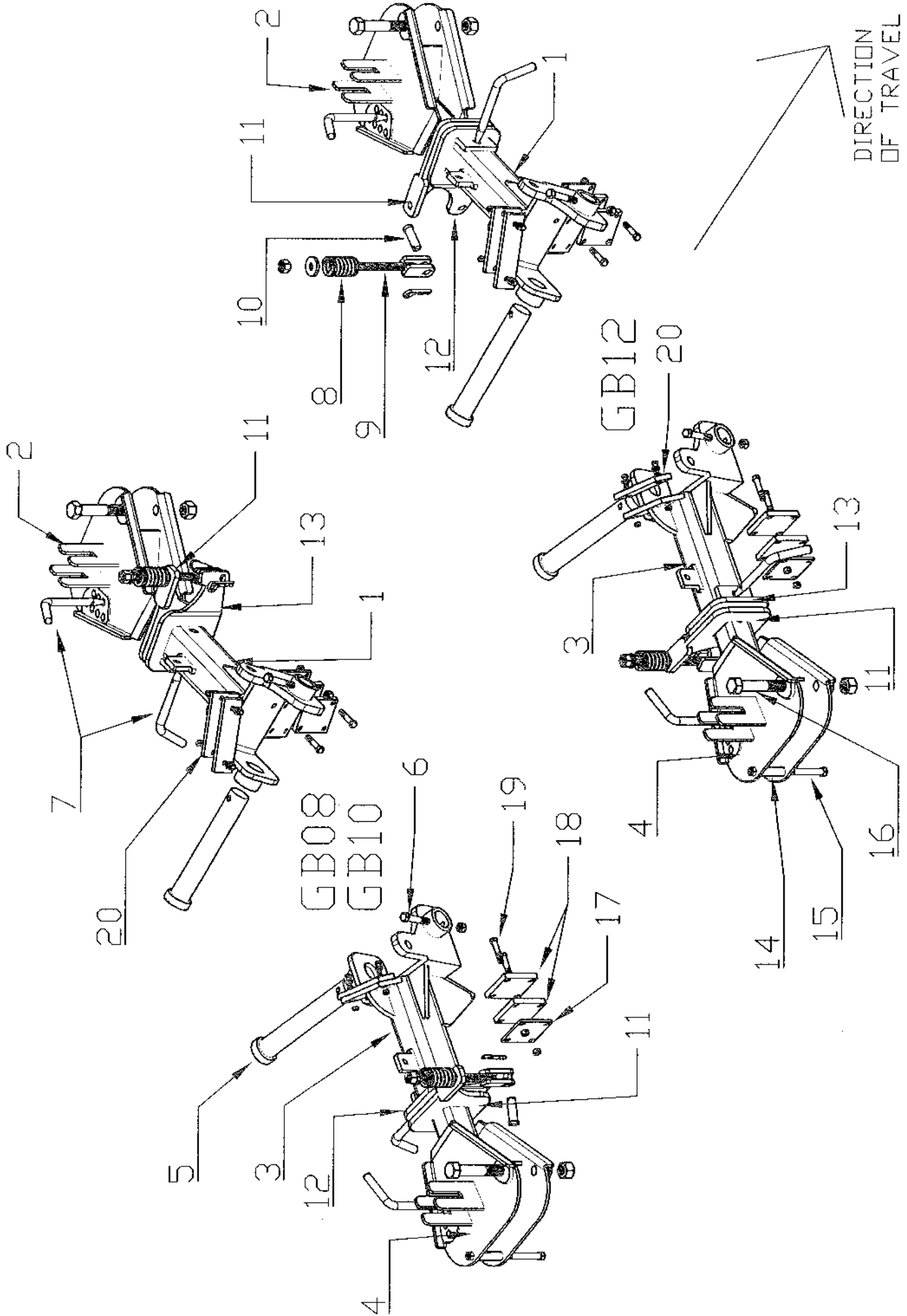
Proper lubrication on all the hinge points and bearings will greatly increase the life and the performance of the rake. This section shows the location of some of the grease fittings on the rake. The pivot points (1) should be greased daily. The rake wheel hubs (2) should be greased every 40 hours. The transport wheels should be repacked at the beginning of each season and checked periodically during the season.





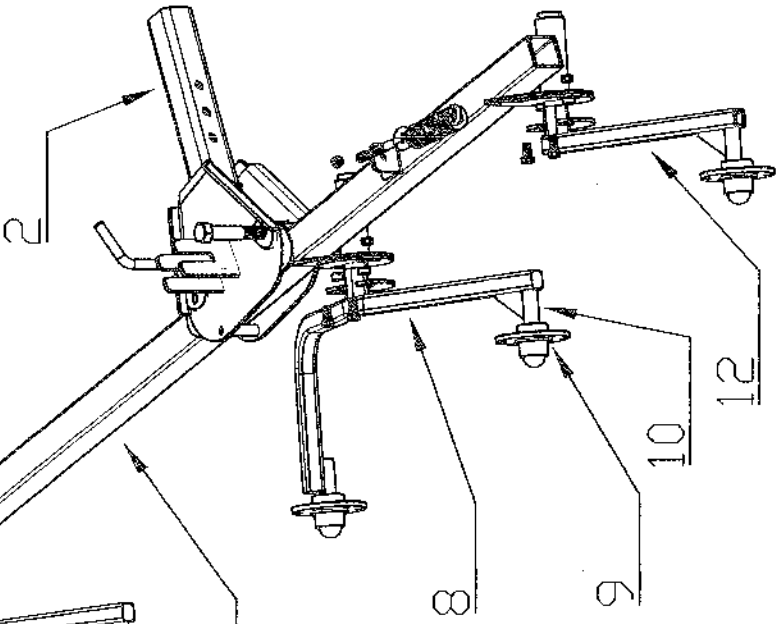
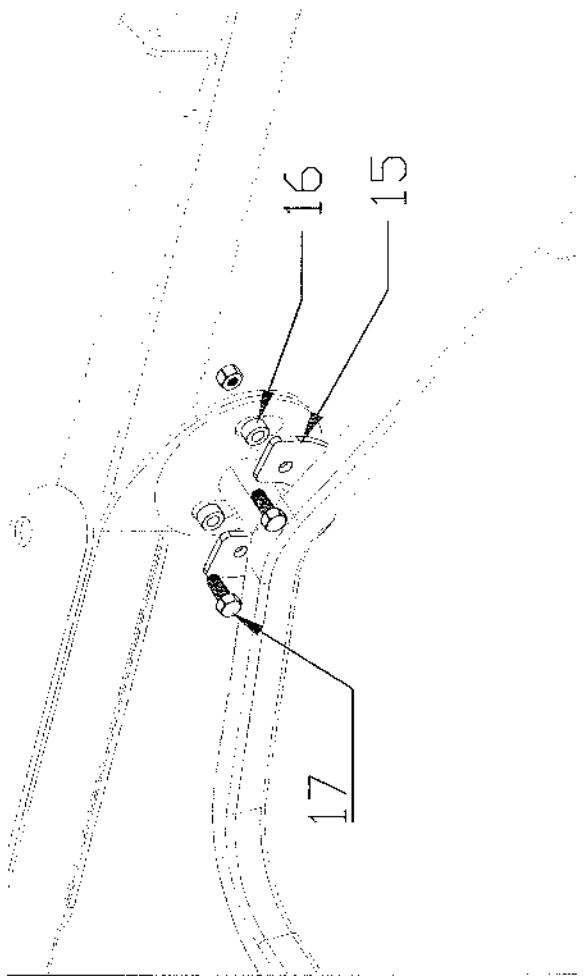
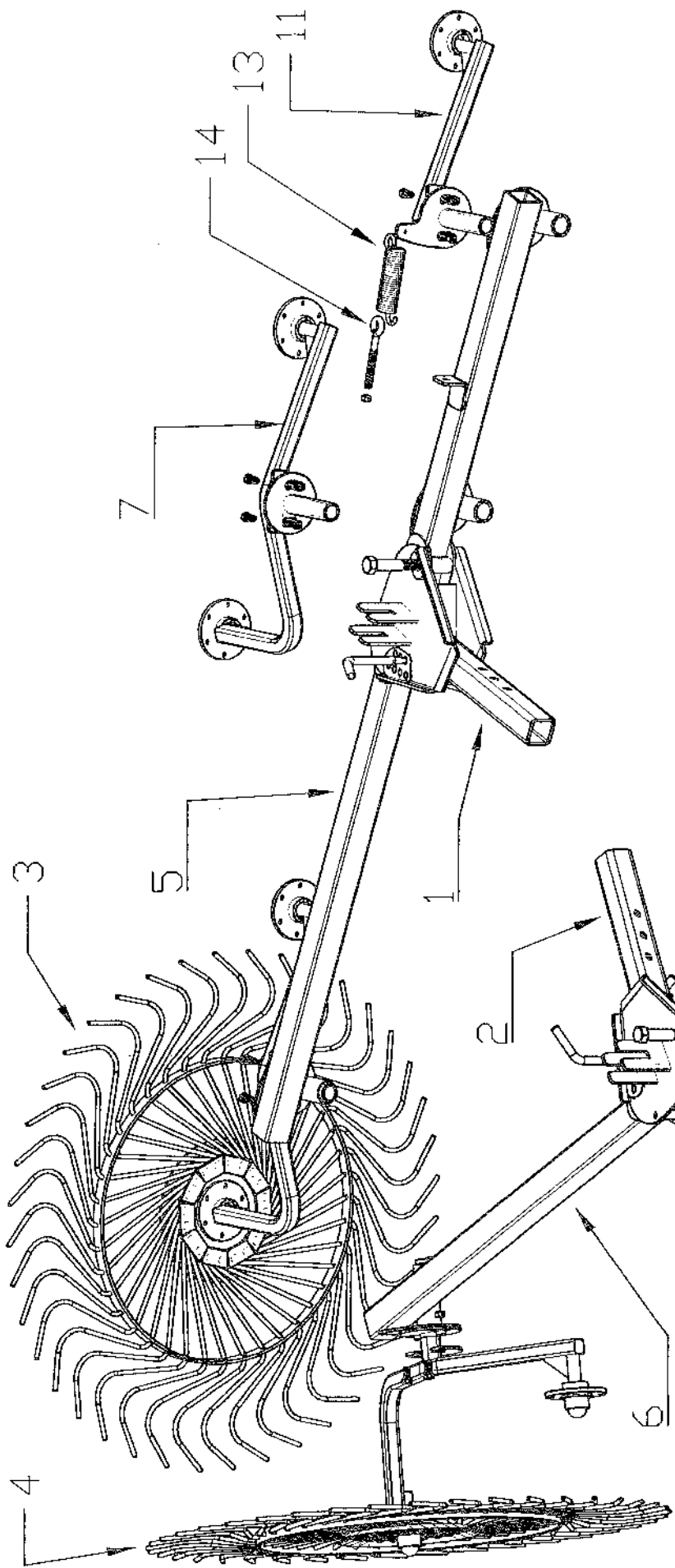
HAY RAKE CART

REF.	PART NO.	DESCRIPTION	QTY.
1.	31500121	HITCH JAW	1
	31378	HEX BOLT, 5/8" X 4-1/2"	2
	30027	LOCK NUT, 5/8"	2
2.	B1125A	SIDE WIND JACK	1
3.	31500122	FRONT DRAWBAR, GB08 & GB10	1
	31500123	FRONT DRAWBAR, GB12	1
4.	31383	HEX BOLT, 5/8" X 2"	6
	30027	LOCK NUT, 5/8"	6
5.	31500124	CART FRAME	1
6.	50300221	HYDRAULIC CYLINDER, 3" X 10"	2
7.	50300143	PIN WITH CLIPS, HYDRAULIC CYLINDER	6
8.	31500100	CYLINDER EXTENSION PLATE	2
9.	10100724	HEX BOLT, 1" X 3-1/2"	2
	33082	LOCK NUT, 1"	2
10.	51100030	HUB, COMPLETE	2
11.	31500125	ADJUSTMENT BOLT FOR FRAME SPRING	2
	33082	LOCK NUT, 1"	2
12.	31500111	SPACER, FRAME SPRING, GB08	0
		SPACER, FRAME SPRING, GB10	2
		SPACER, FRAME SPRING, GB12	4
13.	52000007	FRAME SPRING, COMPRESSION	2
14.	31500102	TRANSPORT LOCK	2
	30073	HEX BOLT, 1/2" X 2"	2
	30022	LOCK NUT, 1/2"	2
	10300080	CLEVIS PIN, 1/2" X 2"	2
	30152	HAIR PIN	2
15.	31500126	SMV SIGN, MOUNT	1
	30053	HEX BOLT, 3/8" X 1"	2
	30245	LOCK NUT, 3/8"	2
16.	31500127	INNER ARM, RIGHT HAND	1
17.	31500128	INNER ARM, LEFT HAND	1
18.	31500129	PIN, INNER ARM	2
19.	20235-1	SPINDLE, WELD-ON	2
20.	30418	SEAL	1
21.	30973	INNER BEARING	1
22.	30972	INNER RACE	1
23.	51100032	HUB	1
24.	30974	OUTER RACE	1
25.	30975	OUTER BEARING	1
26.	TB507-5	FLAT WASHER, SPINDLE, 7/8"	1
27.	R5R213N	SLOTTED NUT, 7/8" NF	1
28.	30147	COTTER PIN, 3/16" X 1-1/2"	1
29.	30998	HUB CAP	1
30.	51500009	STUD, 1/2"-20	5
31.	21172	LUG NUT, 1/2"-20	5
	51100030	HUB, COMPLETE, ITEMS 20-25, 29-31	1



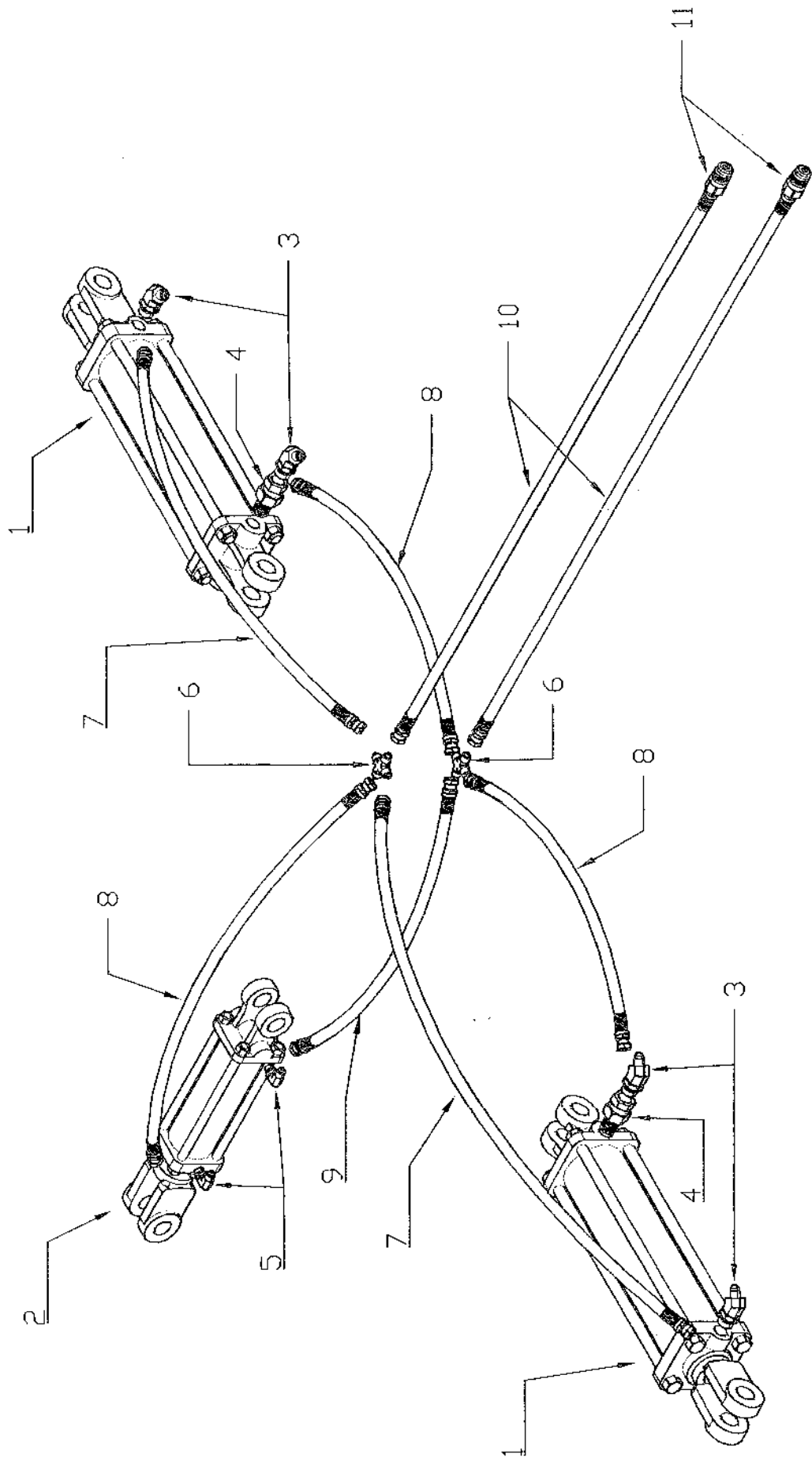
RAKE INNER/OUTER ARM

REF.	PART NO.	DESCRIPTION	QTY.
1.	31500128	INNER ARM, LEFT HAND	1
2.	31500131	OUTER ARM, LEFT HAND	1
3.	31500127	INNER ARM, RIGHT HAND	1
4.	31500130	OUTER ARM, RIGHT HAND	1
5.	31500129	PIN, INNER ARM	2
6.	30080	HEX BOLT, 1/2" X 3-1/2"	2
	30022	LOCK NUT, 1/2"	2
7.	31500108	PIN, OUTER ARM ADJUSTMENT	4
	30152	HAIR PIN	4
8.	52000020	SPRING, COMPRESSION	2
9.	31500135	WING LEVELER SPRING BOLT	2
	30140	FLAT WASHER, 3/4"	2
	32098	LOCK NUT, 3/4"	2
10.	10300090	CLEVIS PIN, 3/4" X 2"	2
	30152	HAIR PIN	2
11.	31500132	WING LEVELER PLATE FOR 3" TUBE	2
12.	31500133	WING LEVELER, 4" TUBE, GB08 & GB10 RIGHT HAND GB12, LEFT HAND	1 1
13.	31500134	WING LEVELER, 4" TUBE, GB08 & GB10 LEFT HAND GB12, RIGHT HAND	1 1
14.	31500113	SPACER PIPE	2
15.	10100373	HEX BOLT, 1/2" X 5	2
	30022	LOCK NUT, 1/2"	2
16.	10100730	HEX BOLT, 1" X 6-1/2"	2
	33082	LOCK NUT, 1"	2
17.	31500109	SPRING ADJUSTMENT PLATE, 3/16"	2
18.	31500110	SPRING ADJUSTMENT PLATE, 1/2"	4
19.	30059	HEX BOLT, 3/8" X 2-1/2"	4
	30019	LOCK NUT, 3/8"	4
20.	31500112	RUBBER BUMPER	2
	30044	HEX BOLT, 1/4" X 1-1/2"	4
	30133	FLAT WASHER, 1/4"	4
	10200072	LOCK NUT, 1/4"	4



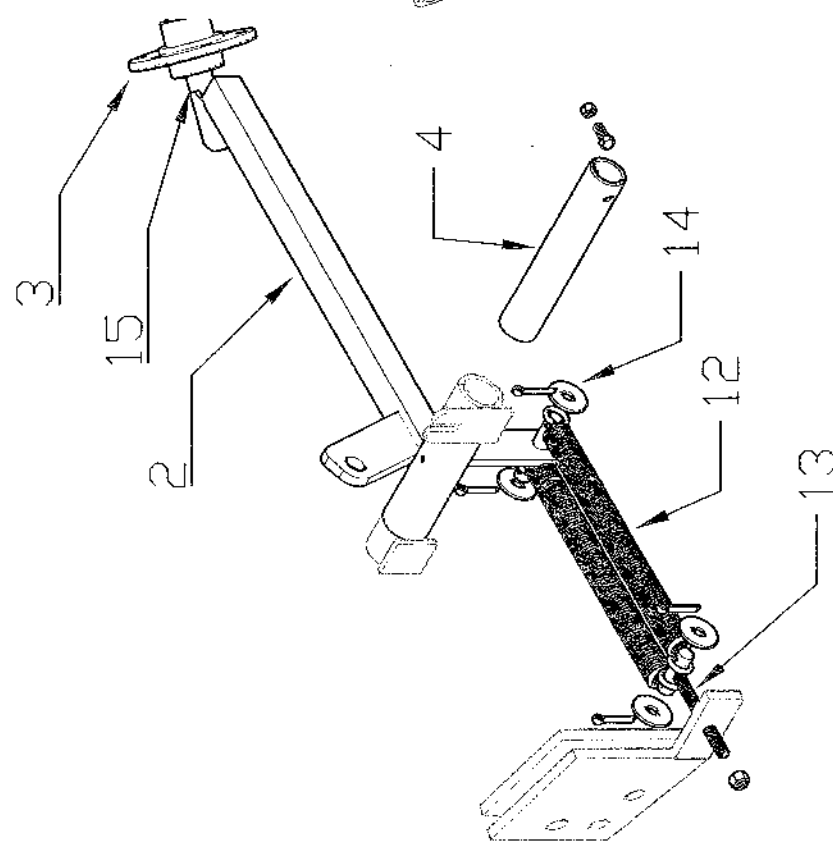
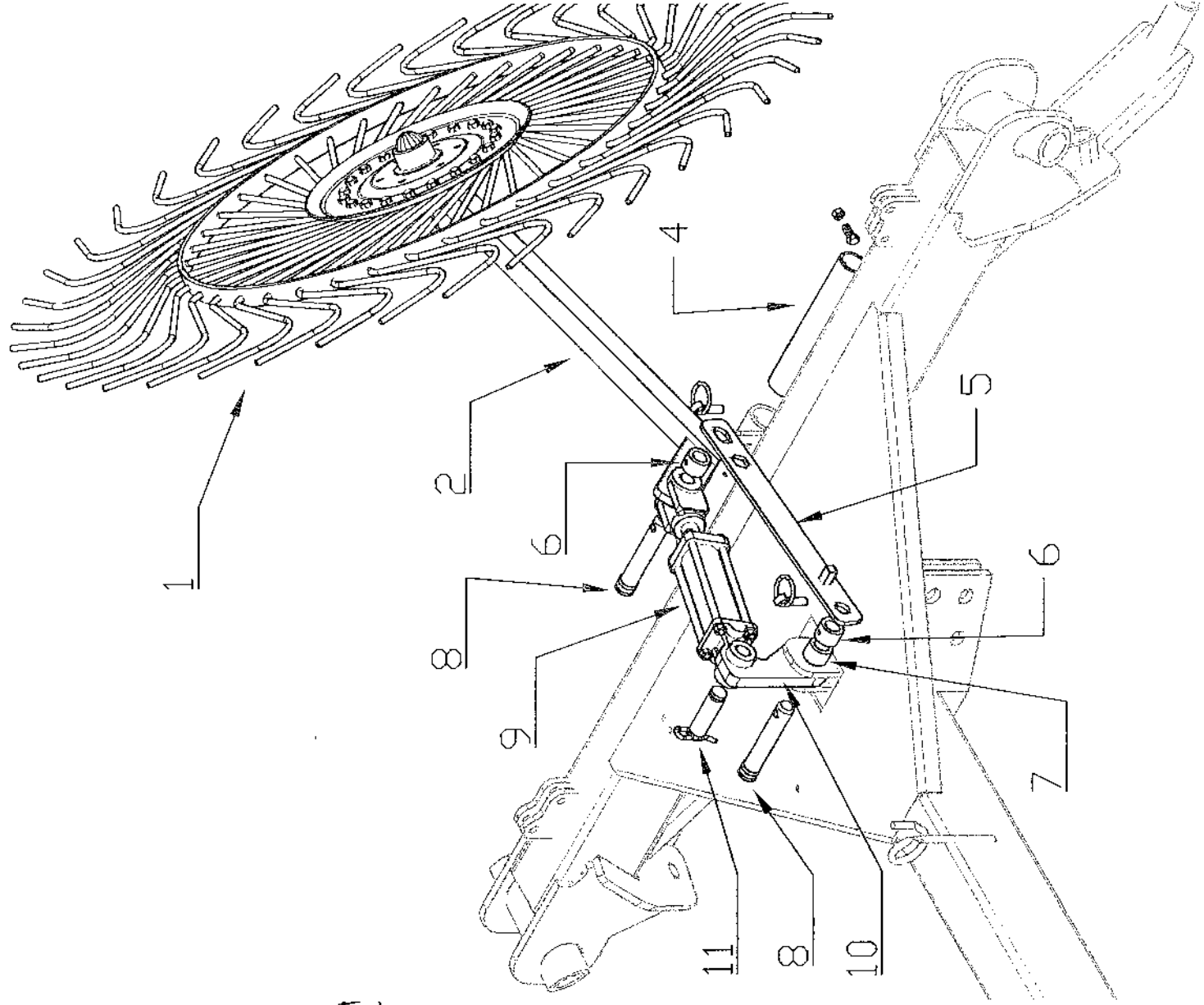
WING ARMS

REF.	PART NO.	DESCRIPTION	QTY.
1.	31500131	OUTER ARM, LEFT HAND	1
2.	31500130	OUTER ARM, RIGHT HAND	1
3.	31500115	RAKE WHEEL, LEFT HAND	VAR
4.	31500116	RAKE WHEEL, RIGHT HAND	VAR
5.	31500138	WING ARM, LEFT HAND, GB08	1
	31500140	WING ARM, LEFT HAND, GB10	1
	31500142	WING ARM, LEFT HAND, GB12	1
6.	31500139	WING ARM, RIGHT HAND, GB08	1
	31500141	WING ARM, RIGHT HAND, GB10	1
	31500143	WING ARM, RIGHT HAND, GB12	1
7.	31500144	WHEEL ARM, L.H., W/HUBS, GB08 & GB10	2
		WHEEL ARM, L.H., W/HUBS, GB12	3
8.	31500145	WHEEL ARM, R.H., W/HUBS, GB08 & GB10	2
		WHEEL ARM, R.H., W/HUBS, GB12	3
9.	51100052	HUB, COMPLETE	VAR
10.	51000100	SPINDLE, WELD-ON	VAR
11.	31500146	SINGLE WHEEL ARM, L.H., GB10	1
12.	31500147	SINGLE WHEEL ARM, R.H., GB10	1
13.	TB195	SPRING, EXTENSION, GB10	2
14.	30039	EYE BOLT, 1/2" X 8", GB10	2
	10200063	LOCK NUT, 1/2" NYLON, GB10	2
15.	31500101	FLOATING ARM MOUNT PLATE	VAR
16.	31500104	FLOATING ARM BUSHING	VAR
17.	30069	HEX BOLT, 1/2" X 1-1/2"	VAR
	30022	LOCK NUT, 1/2"	VAR
NOT SHOWN			
	51800250	PLASTIC PLUG, 1-1/2" SQ. TUBE	VAR
	51800255	PLASTIC PLUG, 3" SQ. TUBE	4



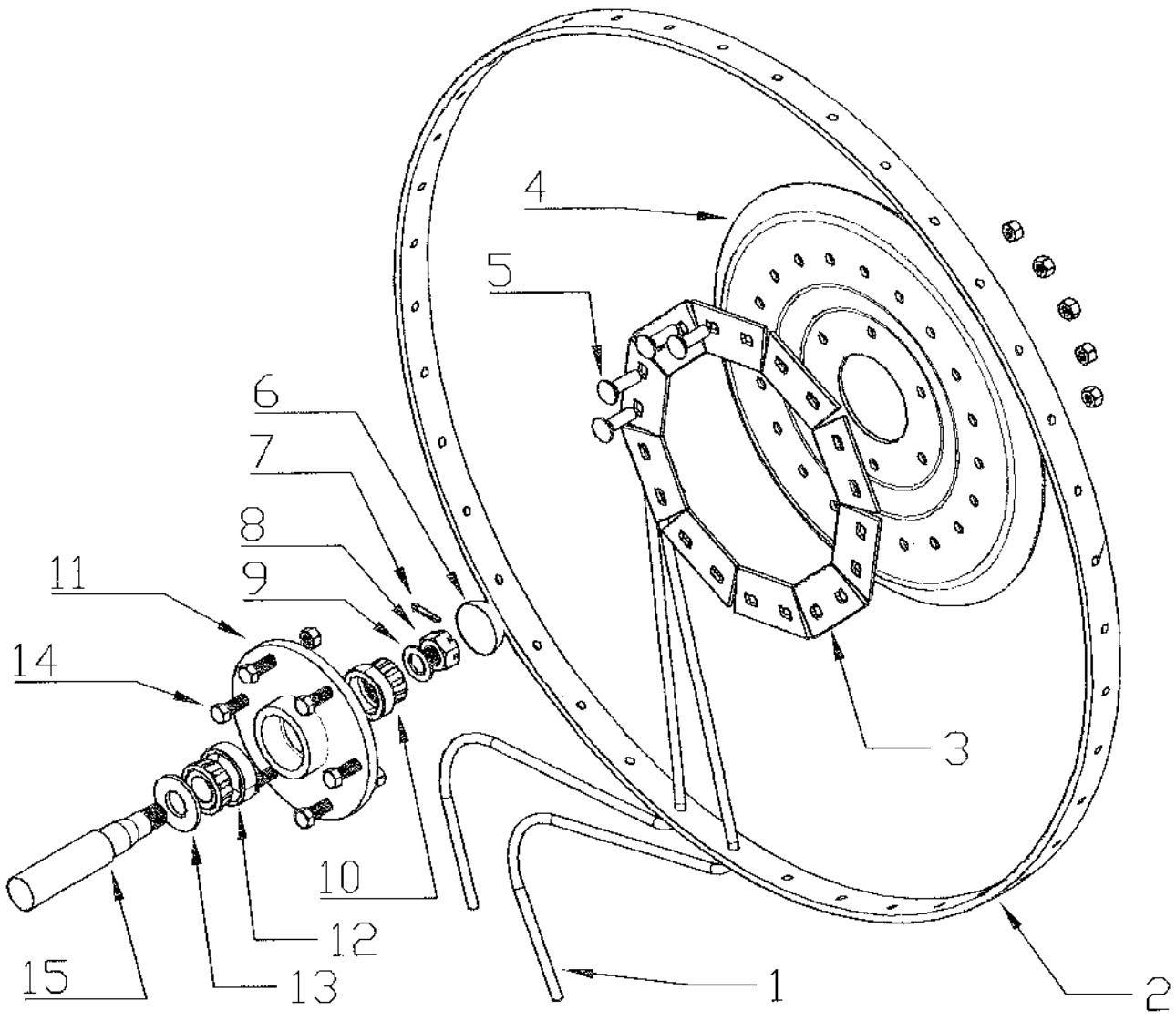
HYDRAULIC ASSEMBLY

REF.	PART NO.	DESCRIPTION	QTY.
1.	50300221	HYDRAULIC CYLINDER, 3" X 10"	2
2.	50300200	HYDRAULIC CYLINDER, 2" X 4"	1
3.	50300383	ELBOW, 45 DEG. 1/2" NPT X 3/8" JIC	4
4.	50300382	FLOW RESTRICTOR	2
5.	50300391	ELBOW, 90 DEG. 3/8" NPT X 3/8" JIC	2
6.	50300392	CROSS, 3/8" JIC	2
7.	50300386	HYDRAULIC HOSE, 36"	2
8.	50300388	HYDRAULIC HOSE, 24"	3
9.	50300389	HYDRAULIC HOSE, 18"	1
10.	50300385	HYDRAULIC HOSE, 144", GB08 & GB10	2
	50300390	HYDRAULIC HOSE, 180", GB12	2
11.	50300393	PIONEER COUPLER	2



CENTER RAKE WHEEL

REF.	PART NO.	DESCRIPTION	QTY.
1.	31500115	RAKE HAND, LEFT HAND	1
2.	31500136	CENTER WHEEL ARM	1
3.	51100052	HUB, COMPLETE	1
4.	31500107	PIVOT PIN, CENTER WHEEL	1
	30053	HEX BOLT, 3/8" X 1"	1
	30019	LOCK NUT, 3/8"	1
5.	31500105	TRANSPORT LOCK FOR CENTER WHEEL	1
6.	30900538	SPACER, CYLINDER PIN, WITH SET SCREW	2
	10100250	SET SCREW, 3/8"-16 X 3/8"	2
7.	KTR-504	SPACER, CYLINDER PIN	1
8.	31500106	CYLINDER PIN FOR CENTER WHEEL	2
	32796	LYNCH PIN, 7/16"	2
9.	50300200	HYDRAULIC CYLINDER, 2" X 4"	1
10.	31500103	PIVOT LUG, CENTER WHEEL CYLINDER	1
11.	50300143	PIN WITH CLIPS, HYDRAULIC CYLINDER	1
12.	21445	SPRING, EXTENSION	2
13.	31500137	ADJUSTMENT BOLT, CENTER WHEEL SPRINGS	1
	10200063	LOCKNUT, 1/2" NYLON	1
14.	30140	FLAT WASHER, 3/4"	4
	30148	COTTER PIN, 3/16" X 2"	4
15.	51000100	SPINDLE, RAKE WHEEL, WELD-ON	1



REF.	PART NO.	DESCRIPTION	QTY.
	31500115	RAKE WHEEL COMPLETE, L.H. & CENTER	
	31500116	RAKE WHEEL COMPLETE, R.H.	
1.	31500117	RAKE TINE	40
2.	31500118	OUTER WHEEL RIM	1
3.	31500120	TINE CLAMP	10
4.	31500119	INNER WHEEL DISH	1
5.	10101035	CARRIAGE BOLT, 10mm X 25mm	20
	10201021	LOCK NUT, 10mm	20
6.	51300021	DUST CAP	1
7.	10300010	COTTER PIN, 3/32" X 1-1/4"	1
8.	10201022	SLOTTED NUT, 18mm - 1.5	1
9.	10201023	FLAT WASHER, SPINDLE, 18mm	1
10.	50700091	OUTER RACE & BEARING, 30204	1
11.	51100053	HUB	1
12.	50700092	INNER RACE & BEARING, 30205	1
13.	51400026	SEAL	1
14.	30053	HEX BOLT, 3/8" X 1"	6
	30124	LOCK WASHER, 3/8"	6
	30018	HEX NUT, 3/8"	6
15.	51000100	SPINDLE, WELD-ON	1
	51100052	COMPLETE HUB, ITEMS 6, 10 - 13	1

TORQUE SPECIFICATIONS

Shown below is the torque chart for U.S. standard bolt sizes. All hardware on the Mohawk GB Rake should be tightened to these specs unless noted otherwise.

BOLT SIZE	GRADE 5 BOLTS		GRADE 8 BOLTS	
	TORQUE (DRY) FT. LBS.	LUBRICATED FT. LBS.	TORQUE (DRY) FT. LBS.	LUBRICATED FT. LBS.
1/4 20	8	6	12	9
1/4 28	10	7	14	10
5/16 20	17	13	24	18
5/16 24	19	14	27	20
3/8 16	30	23	45	35
3/8 24	35	25	50	35
7/16 14	50	35	70	50
7/16 20	55	40	80	60
1/2/2 13	75	55	110	80
1/2/2 20	85	65	120	90
9/16 12	110	80	150	110
9/16 18	120	90	170	130
5/8 11	150	110	210	160
5/8 18	170	130	240	180
3/4 10	260	200	380	280
3/4 16	300	220	420	310
7/8 9	430	320	600	450
7/8 14	470	350	670	500
1-8	640	480	910	680
1-14	720	540	1,020	760

WARRANTY

AG-MEIER Ind. LLC's Limited Warranty

Ag-Meier Ind., L.L.C. warrants to the original Purchaser all Machinery, Equipment, or Trailers manufactured by it, to be free from defects in material and workmanship under normal use and service. Its obligation under this Warranty shall be limited to replacement or repair of any parts thereof, free of charge to the original Purchaser, at its place of business, provided, however, that the part(s) to be replaced or repaired, shall within one (1) year after delivery to the original Purchaser, be demonstrated to be defective; which determination shall be made by the Company. The said components or parts must be returned through the Selling dealer or distributor directly to the Company with all transportation charges prepaid. Notice of defect shall be furnished in writing to the Seller and to the agent through whom the machinery was received, disclosing in full all known defects and failure in operation and use, and reasonable time shall be given to the Seller to remedy any such defects and failures. Failure to make such trial or give such notice shall be deemed an absolute acceptance by the Buyer and satisfaction in full of this Limited Warranty.

This Warranty does not cover, under any circumstances, any parts, components, or materials which, in the opinion of the Seller and Company, have been subjected to neglect, misuse, alteration, accident, or if repaired, with parts other than those manufactured by and obtained from Ag-Meier Ind.L.L.C.

This Warranty does not cover components which are already covered by a separate Warranty provided by the supplier of said parts or components.

The Company's obligation under this Warranty is limited to repair or replacement, free of charge to the original Purchaser, of any part which in judgment of the Company is defective. This Warranty does not cover normal wear and tear.

THIS WARRANTY IS MADE EXPRESSLY IN LIEU OF ALL OTHER WARRANTIES, EXPRESSED OR IMPLIED, INCLUDING ANY WARRANTY OF MERCHANTABILITY AND FITNESS FOR USE AND PURPOSE AND OF ALL OTHER OBLIGATIONS OR LIABILITIES ON ITS PART AND ANY IMPLIED WARRANTY. AND IT NEITHER ASSUMES NOR AUTHORIZES ANY OTHER LIABILITY IN CONNECTION WITH A SALE OF THIS MACHINE. THIS WARRANTY SHALL NOT APPLY TO THIS MACHINE OR TO ANY PART THEREOF WHICH HAS BEEN SUBJECT TO ACCIDENT, NEGLIGENCE, ALTERATION, ABUSE, OR MISUSE.

The Company makes no Warranty whatsoever in respect to accessories or parts not supplied by the Company. The term "original Purchaser" as used in this warranty, shall be deemed that person for whom the Machine, Equipment, or Trailer is originally supplied. This Warranty shall apply only within the boundaries of the continental United States.

Under this Warranty, the Company cannot guarantee that existing conditions beyond its control will not affect its ability to obtain materials or manufacture necessary replacement parts.

No one is authorized to alter, modify, or change the terms of this Warranty in any manner.

The Company warrants the Construction of the equipment sold herein and will replace at its expense for a period of (1) year from the date hereof, any parts which prove defective as determined under the terms of this Limited Warranty.

RETURN WITHIN 30 DAYS TO:
AG-MEIER INDUSTRIES

WARRANTY REGISTRATION
920 E. 6TH AVENUE
BELTON, TX 76513

FOLD ALONG DOTTED LINES, STAPLE AND MAIL

PRODUCT NAME _____ SERIAL NUMBER _____
PURCAHSER _____ DATE DELIVERED _____
ADDRESS _____ CITY _____
COUNTY _____ STATE _____ ZIP _____
DEALER _____ DEALER ACCOUNT # _____
CITY _____ STATE _____ ZIP _____

I have recieved and read the operating manual for the product described from my dealer or AG-MEIER INDUSTRIES and fully understand the WARRANTY PROVISIONS, OPERATIONS, SAFETY, SAFE OPERATION OF THE PRODUCT, MAINTENANCE, LUBRICATION, ADJUSTMENT and SAFETY EQUIPMENT.

I have examined the product and accept it in complete and satisfactory condition. I have also examined all the warning/safety labels and understand the dangers of unauthorized repairs and alterations of the product. I futher understand that attempting to operate this product outside of the specified design parameter will void the warranty as stated in the operating manual. I also understand that this warranty is considered null and void if I use any replacement parts other than those approved by AG-MEIER INDUSTRIES. All warranty work MUST BE APPROVED by the warranty manager at AG-MEIER INDUSTRIES factory BEFORE any item replacement or labor costs will be reimbursed.

DATE _____

PRINTED OR TYPED NAME _____

PURCHASER'S SIGNATURE _____

**AG-MEIER INDUSTRIES
(BELTON DIVISION)
WARRANTY REGISTRATION
920 E. 6TH AVENUE
BELTON, TX 76513**